

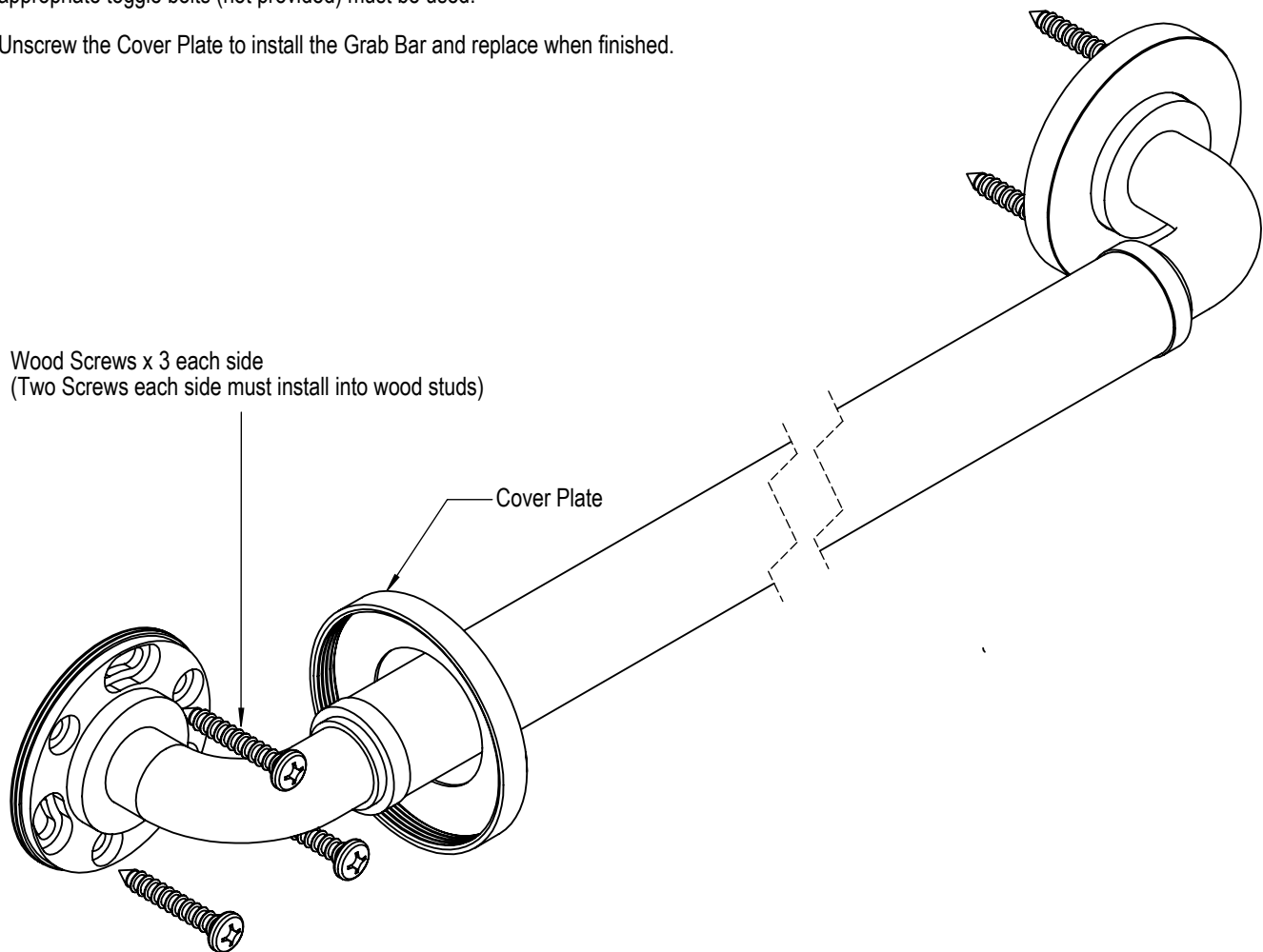
**MOUNTING INSTRUCTIONS:**

For a safe and proper installation, align the Grab Bar so that two of the Wood Screws each side will secure to a WOODEN wall stud.

**CAUTION:**

The Wood Screws provided are for installation into WOODEN wall studs only. Under no circumstances should the Grab Bar be attached to a hollow wall using these screws. If the mounting holes cannot line up with a wooden wall stud, appropriate toggle bolts (not provided) must be used.

Unscrew the Cover Plate to install the Grab Bar and replace when finished.

Critical Dimensions