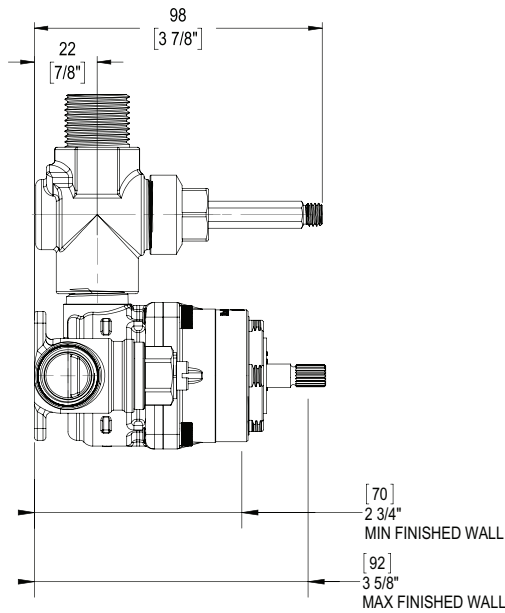
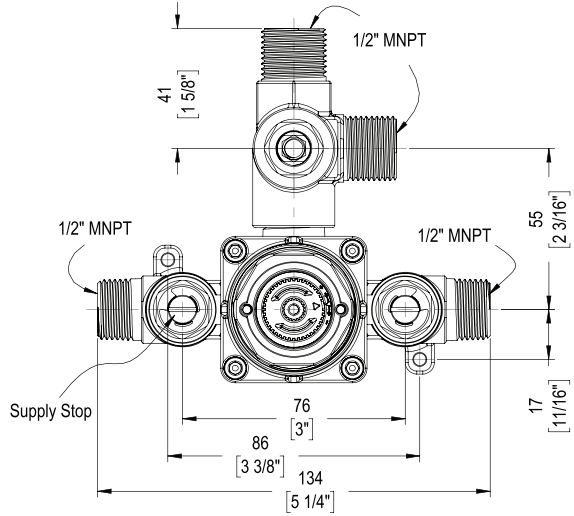


**FEATURES:**

- Brass construction
- Single Control cycles from Cold to Hot
- High temperature Limit Stop
- 20psi Minimum - 125 psi Maximum operating pressure
- Flow Rate  
Tub: 5.8 gpm @ 45psi  
Shower: 4.6 gpm @45psi

**APPROVAL:**

- ASME A112.18.1 / CSA B125.1
- ASSE 1016 / ASME A112.1016 / CSA B125.16



**CONTACT US:**

If you need assistance with installation, replacement parts or have any questions regarding your Rubinet product, please call a Customer Service representative at: 905-851-6781 toll free 1-800-461-5901 or visit [www.rubinet.com](http://www.rubinet.com)

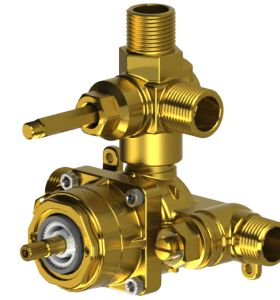
250218

THE **Rubinet** FAUCET COMPANY

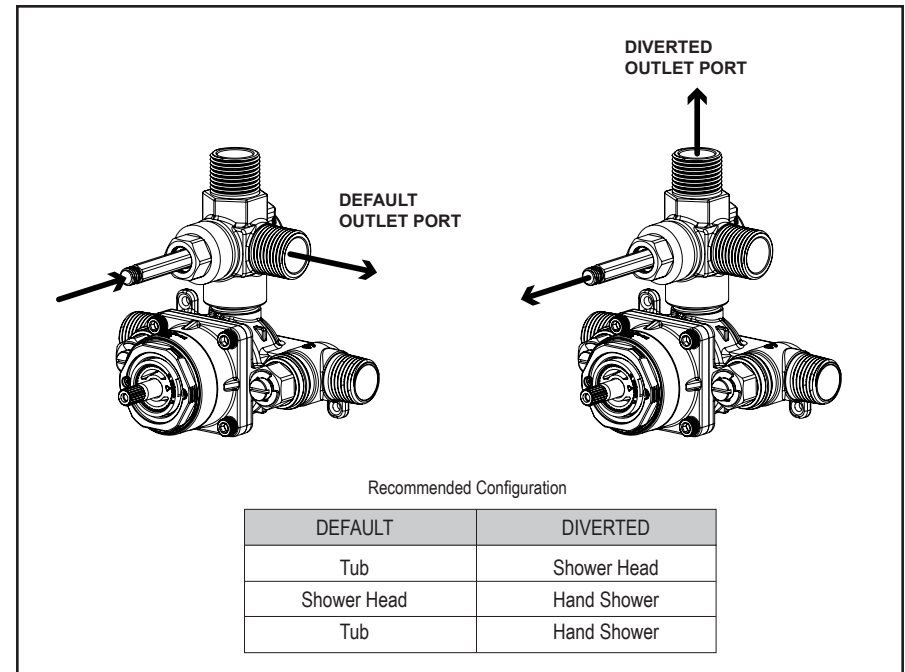
**ASSEMBLY INSTRUCTION**

**2YR100**

VALVE ONLY PRESSURE BALANCE WITH DIVERTER AND STOPS ROUGH-IN



**2YR100**



**IMPORTANT:**

Service stops must be either FULLY OPEN or FULLY CLOSED during operation or maintenance.

**VALVE CONNECTION:**

For optimal sealing, use either Teflon tape OR thread sealant on all valve connections.

**1**

FINISHED WALL

**\* MUST REFER TO THE MAXIMUM AND MINIMUM WALL LIMIT GUIDE.**

Minimum Finished Wall Limit

Maximum Finished Wall Limit

**Protective Cover**  
Refer to the protective cover (mounting guide) markings for proper installation depth. This cover must remain in place when plastering and/or tiling etc.

90°

Rough-in must be positioned square to the wall for proper trim installation.

[152]  
Ø 6" hole size

Stop close

Stop open

Anchor using ears on the valve body.

Pipe clamp recommended.

**INSTALLATION PROBLEMS**

If water continuously drips from the spout or shower head or there is reduced water flow:

- Turn off the water supply at the stops.
- Remove the cartridge.
- Check for debris in the valve body.
- Inspect o-rings for damage.
- Re-grease with silicone-based grease only.
- Re-install the cartridge

**2**

**SETTING HOT LIMIT STOP**

Remove the grey adjustment ring.

Reorient the ring in counter-clockwise.

stop tab

To set desired outlet temperature, pry out the grey adjustment ring, rotate cartridge stem counter clockwise until the desired temperature is reached. Now re-insert grey adjustment ring to align the grey and blue tabs as shown in graphics.