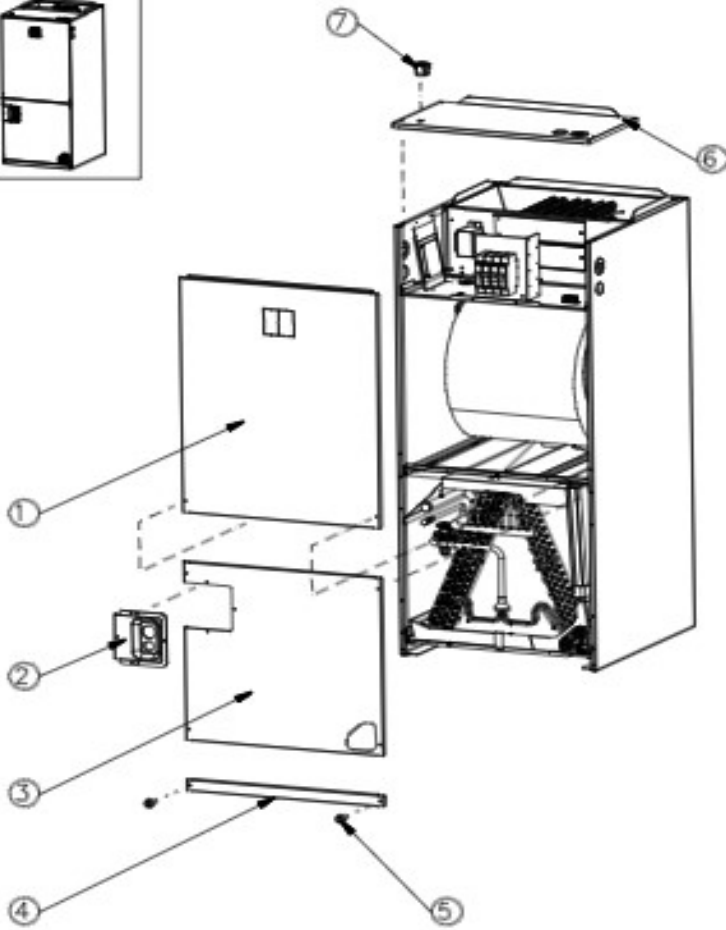


Customer model	No	Part Number	Part Name	Qty	Location	Level	Sub-part No
AUH-24UX3SDH2	1	2082476	Upper panel assembly	1	Indoor	1	
AUH-24UX3SDH2	2	2093922	Seal plate parts	1	Indoor	1	
AUH-24UX3SDH2	3	2082481	Down front panel assembly	1	Indoor	1	
AUH-24UX3SDH2	4	2082496	Mounting plate	1	Indoor	1	
AUH-24UX3SDH2	5	2110453	Wing screw	2	Indoor	1	
AUH-24UX3SDH2	6	2082470	Top plate part	1	Indoor	1	
AUH-24UX3SDH2	7	2108011	Over the wire clip	2	Indoor	1	
AUH-24UX3SDH2	8	2115463	Outlet tube assembly	1	Indoor	1	
AUH-24UX3SDH2	9	2081573	Inlet tube assembly	1	Indoor	1	K2036833
AUH-24UX3SDH2	10	2036833	Thermal expansion valve body	1	Indoor	2	
AUH-24UX3SDH2	11	2093962	Fixed plate	1	Indoor	1	
AUH-24UX3SDH2	12	2108088	Protecting plug	2	Indoor	1	
AUH-24UX3SDH2	13	2082567	Water tray	1	Indoor	1	
AUH-24UX3SDH2	14	2115464	Evaporator assembly	1	Indoor	1	
AUH-24UX3SDH2	15	2082568	Water tray	1	Indoor	1	
AUH-24UX3SDH2	16	2091112	Noise-insulation cotton	1	Indoor	1	
AUH-24UX3SDH2	17	2082522	Mounting plate	2	Indoor	1	
AUH-24UX3SDH2	18	2035135	Linear transformer	1	Indoor	1	
AUH-24UX3SDH2	19	2082507	Insulated spacer block	1	Indoor	1	
AUH-24UX3SDH2	20	2150390	Indoor main control panel	1	Indoor	1	
AUH-24UX3SDH2	21	2108027	Clamp	1	Indoor	1	
AUH-24UX3SDH2	22	2108142	Fixed plate	3	Indoor	1	
AUH-24UX3SDH2	23	2108139	Hooking	1	Indoor	1	
AUH-24UX3SDH2	24	2085227	DC motor	1	Indoor	1	
AUH-24UX3SDH2	25	2091218	Fan Assembly	1	Indoor	1	
AUH-24UX3SDH2	29	2093754	Plastic Bag	1	Indoor	1	
AUH-24UX3SDH2	30	2093755	Paper box	1	Indoor	1	

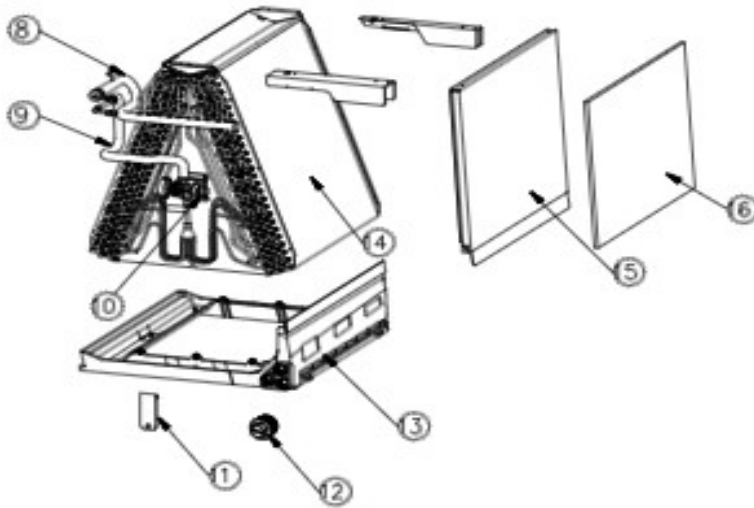
LOCATION OF SERVICE PARTS IN THE UNIT



A	Top Panel	1	Control Panel	2
B	Bottom Panel	3	Bottom Panel Feet	4
C	Bottom Panel Feet	5	Top Panel Fastener	7

LOCATION OF SERVICE PARTS IN THE UNIT

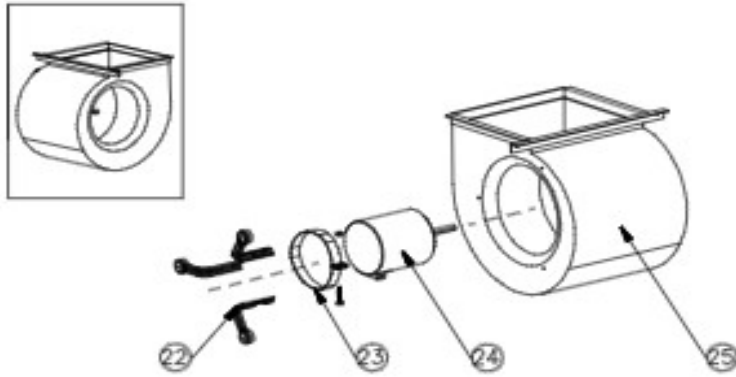
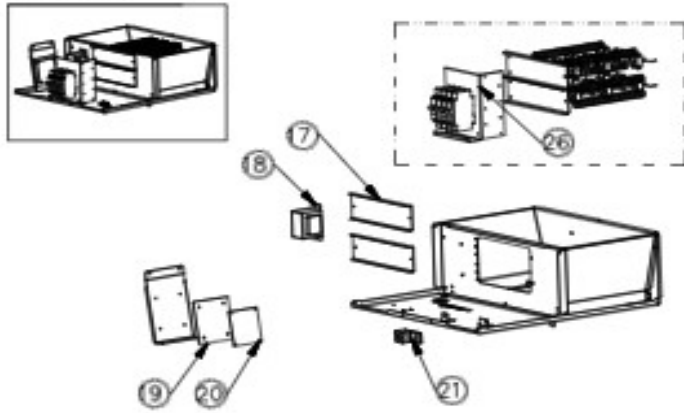
< Refrigerant Cycle >



A	Refrigerant	1	Condenser Fan Motor
B	Refrigerant	2	Condenser Fan Motor
C	Refrigerant	3	Condenser Fan Motor
D	Refrigerant	4	Condenser Fan Motor
E	Refrigerant	5	Condenser Fan Motor
F	Refrigerant	6	Condenser Fan Motor
G	Refrigerant	7	Condenser Fan Motor
H	Refrigerant	8	Condenser Fan Motor
I	Refrigerant	9	Condenser Fan Motor

LOCATION OF SERVICE PARTS IN THE UNIT

< Electrical Parts >



A	Additional Supply Air	D	Door Panel Supply Air
B	Additional Control Panel	E	Door Panel Supply Air
C	Additional Supply Air	F	Kit
			G