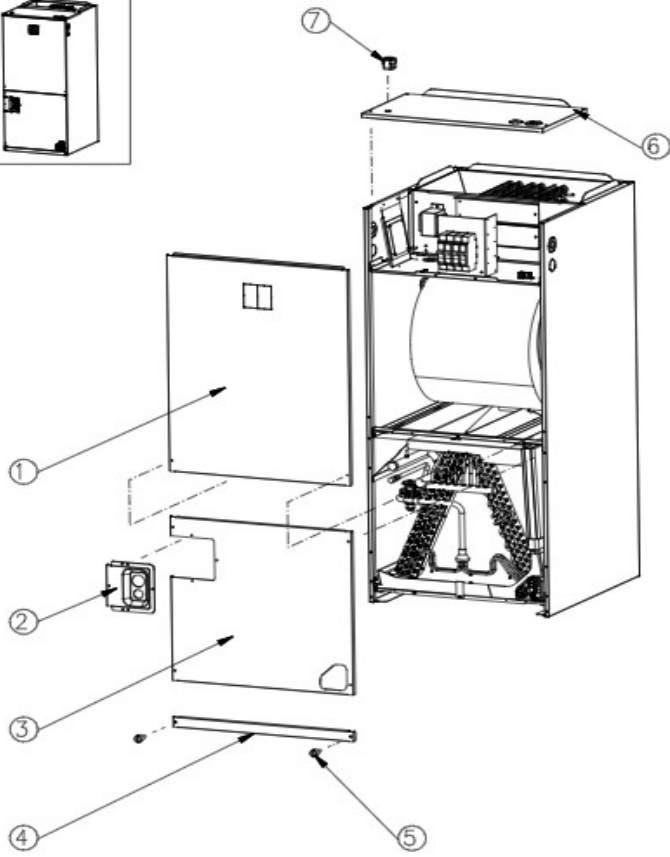


Customer model	No	PartNo	PartName	quantity	Location	Level	Sub-part No
AUH-60UX3SEH2	1	2098536	Upper panel assembly	1	Indoor	1	
AUH-60UX3SEH2	2	2093922	Seal plate parts	1	Indoor	1	
AUH-60UX3SEH2	3	2098540	down front panel assembly	1	Indoor	1	
AUH-60UX3SEH2	4	2098605	Mounting plate	1	Indoor	1	
AUH-60UX3SEH2	5	2110453	Wing screw	2	Indoor	1	
AUH-60UX3SEH2	6	2098533	Top plate part	1	Indoor	1	
AUH-60UX3SEH2	7	2108011	Over the wire clip	1	Indoor	1	
AUH-60UX3SEH2	8	2112692	Outlet tube assembly	1	Indoor	1	
AUH-60UX3SEH2	9	2112613	Inlet tube assembly	1	Indoor	1	K2113143
AUH-60UX3SEH2	10	2113143	Thermal expansion valve body	1	Indoor	2	
AUH-60UX3SEH2	11	2093962	Fixed plate	1	Indoor	1	
AUH-60UX3SEH2	12	2108088	Protecting plug	2	Indoor	1	
AUH-60UX3SEH2	13	2098583	Water tray	1	Indoor	1	
AUH-60UX3SEH2	14	2114254	Evaporator assembly	1	Indoor	1	
AUH-60UX3SEH2	15	2098586	Water tray	1	Indoor	1	
AUH-60UX3SEH2	16	2098600	Noise-insulation cotton	1	Indoor	1	
AUH-60UX3SEH2	17	2082522	Mounting plate	2	Indoor	1	
AUH-60UX3SEH2	18	2035135	Linear transformer	1	Indoor	1	
AUH-60UX3SEH2	19	2082507	Insulated spacer block	1	Indoor	1	
AUH-60UX3SEH2	20	2150390	Indoor main control panel	1	Indoor	1	
AUH-60UX3SEH2	21	2108027	Clamp	1	Indoor	1	
AUH-60UX3SEH2	22	2108142	Fixed plate	3	Indoor	1	
AUH-60UX3SEH2	23	2108139	Hooking	1	Indoor	1	
AUH-60UX3SEH2	24	2085233	DC motor	1	Indoor	1	
AUH-60UX3SEH2	25	2082523	Fan Assembly	1	Indoor	1	
AUH-60UX3SEH2	29	2123978	Paper box	1	Indoor	1	
AUH-60UX3SEH2	30	2124127	Plastic Bag	1	Indoor	1	

LOCATION OF SERVICE PARTS IN THE UNIT

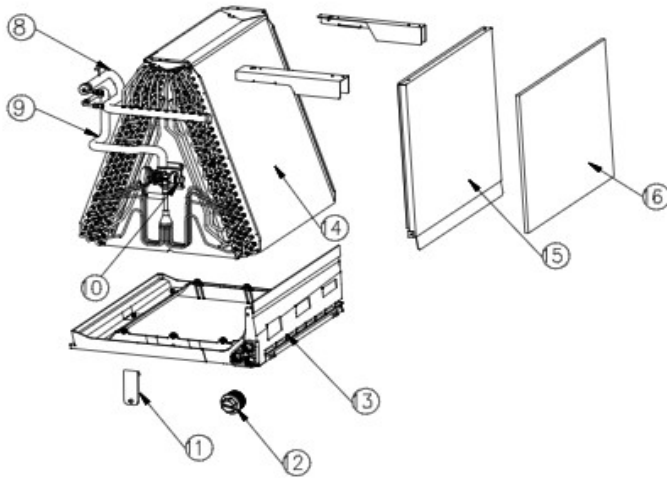
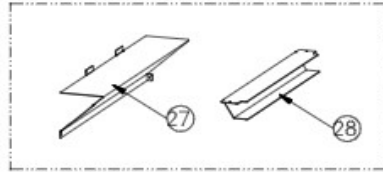


A	Top Front Supply Door	D	Top Front Supply Door
B	Top Front Supply Door	E	Top Front Supply Door
C	Top Front Supply Door	F	Top Front Supply Door

The information being supplied is based on the model for the specific model of the unit shown.

LOCATION OF SERVICE PARTS IN THE UNIT

< Refrigerant Cycle >

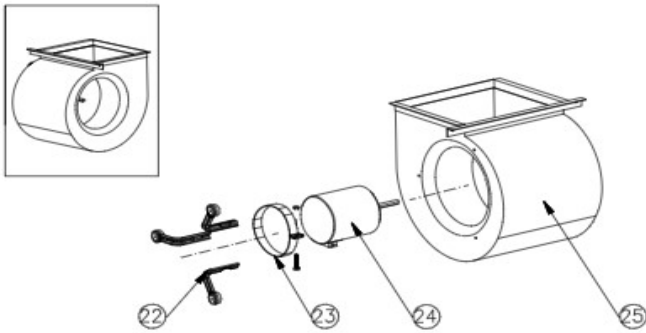
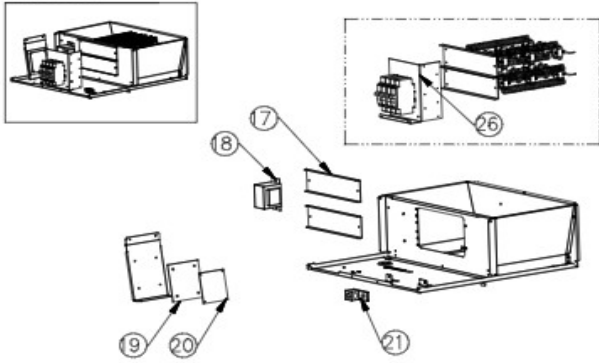


A	Water Filter Supply Valve	NO	D	Purified Water Supply Valve	NO
B	Refrigerant Distribution	NO	E	Ice Storage Supply Valve	NO
C	Refrigerant Supply Valve	NO	F	Ice	NO

NOTE: The information is only supplied as a reference for the supplied residential refrigerator.

LOCATION OF SERVICE PARTS IN THE UNIT

< Electrical Parts >



A	Top Panel Supply/Door	D	Top Panel Supply/Door
B	Top Panel Supply/Door	E	Top Panel Supply/Door
C	Top Panel Supply/Door	F	Top Panel Supply/Door

© 2010 Samsung Electronics Co., Ltd. All rights reserved. Samsung Electronics Co., Ltd. is not responsible for any damage caused by the use of this manual.