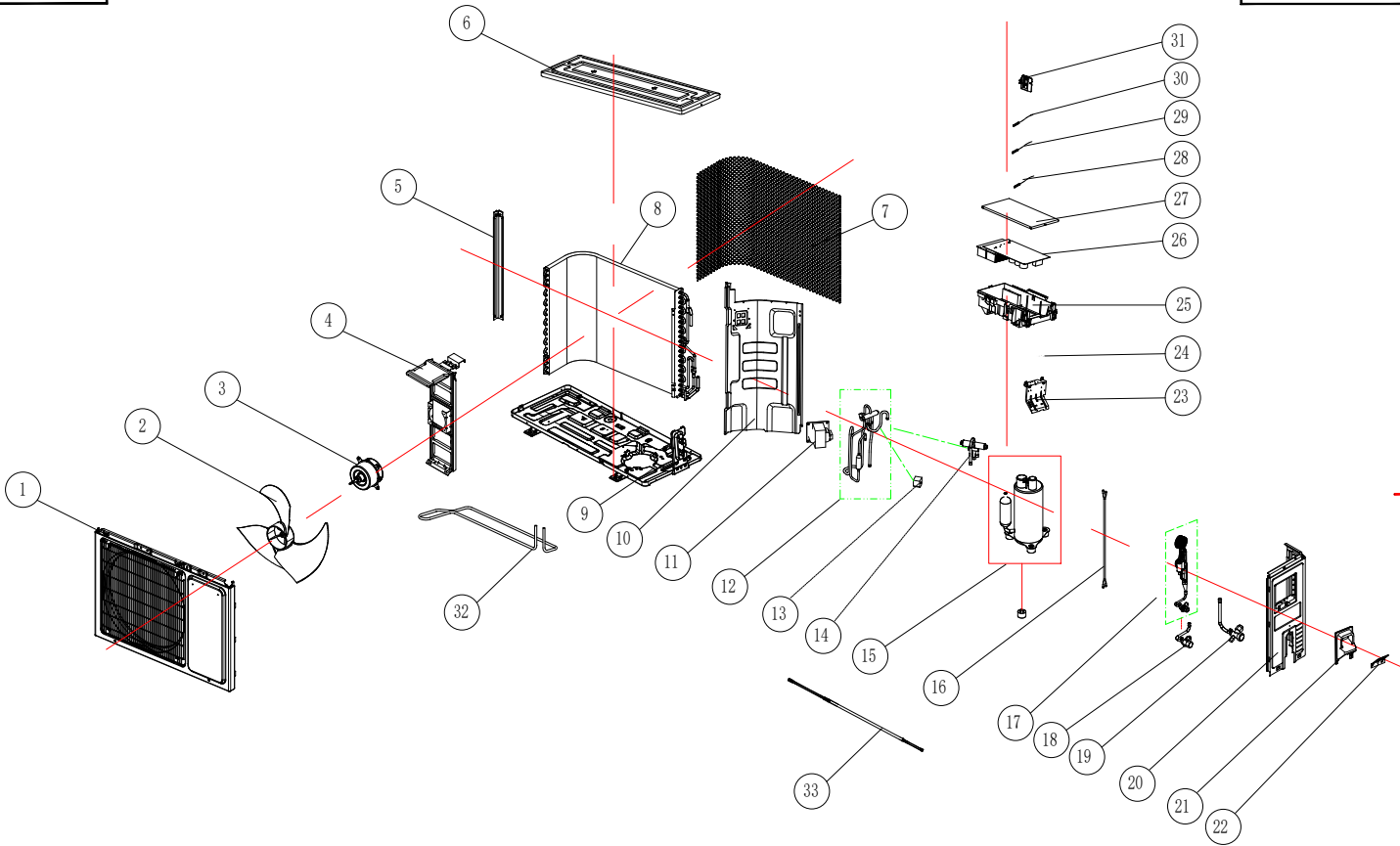


No	PartNo	PartName	quantity	Level	Sub-part No
1	K1935544	panel parts	1	1	
2	K1556766	propeller fan blade	1	1	
3	K2023374	DC motor	1	1	
4	K1849292	motor supporter assembly	1	1	
5	K1846086	mounting plate	1	1	
6	K1865978	top plate part	1	1	
7	K1850382	back guard	1	1	
8	K1917128	Condenser assembly	1	1	
9	K2000202	base holder part	1	1	
10	K1907601	clapboard part	1	1	
12	K1907666	4-way reversing valve assembly	1	1	K1258654,K1335015,K1258654
13	K1258654	4-way reversing valve	1	2	
14	K1258654	4-way reversing valve	1	2	
19	K1335015	3/8" inch 3-way valve	1	2	
15	K1907412	compressor parts	1	1	
16	K1938339	connecting wire for compressor	1	1	
17	K1915541	Electronic expansion valve assembly	1	1	K1405371
18	K1405371	1/4" inch 2-way valve	1	2	
20	K1846084	right side plate	1	1	
21	K1854040	terminal cover	1	1	
22	K1854034	fixed plate	1	1	
23	K1842392	connecting board	1	1	
24	K1852124	terminal Block	1	1	
26	K2282554	Controller Component	1	1	K2290296
25	K2290296	electric box	1	2	
27	K2175783	electric box cover part	1	1	
28	K1822633	Temperature sensor	1	1	
30	K1831029	Temperature sensor	1	1	
31	K1546721	temperature sensor seat	1	1	
32	K1854766	tube type electric heater	1	1	
34	K1849293	carton pattern	1	1	
35	K1281888	Plastic Bag	1	1	
36	K1858814	valve cover	1	1	

零件号/版本:\*\*\*\*\*/\*



备注(同件备注)  
 封面图号  
 视图号  
 出图号  
 日期

缓涂 /		W2N-W1P变频冷暖铁接盖 *		图例	比例
爆炸图		共1张		第1张	
设计	日期	审核	日期	投影识别符号	
制图	日期	工艺	日期	海信科龙空调公司	