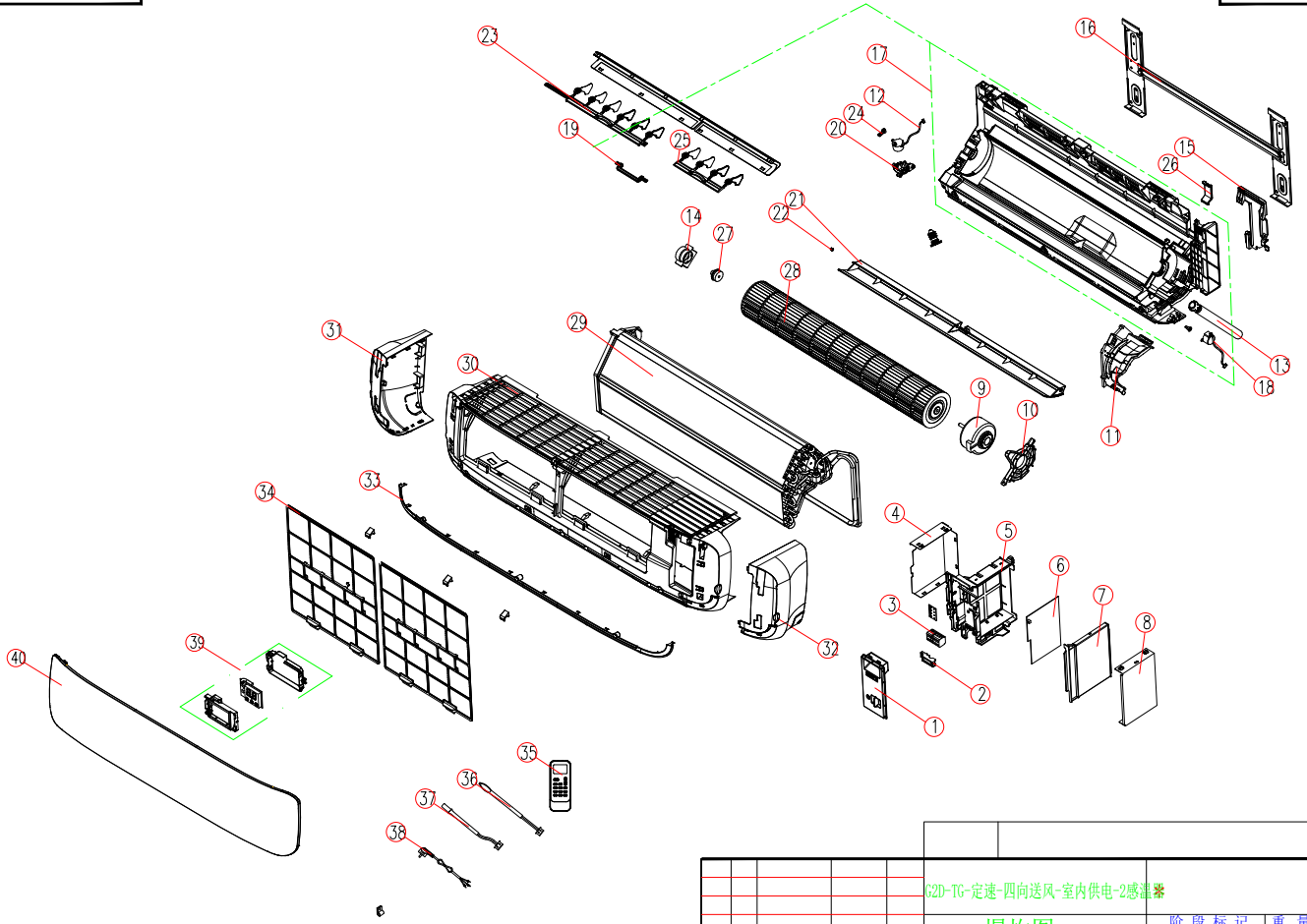


No	PartNo	PartName	quantity	Level	Sub-part No
17	K1953444	base holder part	1	1	K1470426,K1541366,K1465670,K1550291,K1223738,K1541364,K1222824
13	K1470426	Water pipe parts	1	2	
19	K1541366	connecting rod	1	2	
22	K1222824	axis sheath	2	2	
23	K1541364	vertical louver	1	2	
25	K1550291	vertical louver	1	2	
14	K1465670	baffle	1	2	
27	K1223738	bearing	1	2	
1	K1541379	terminal cover	1	1	
2	K1840141	over the wire clip	1	1	
3	K1852126	terminal Block	1	1	
4	K1541500	electric box plate	1	1	
5	K1870720	electric box	1	1	
6	K2200403	indoor electrical control board ASSY	1	1	
7	K1837043	electric box cover	1	1	
8	K1541507	electric box cover	1	1	
9	K1561454	DC motor	1	1	
10	K1541374	motor cover	1	1	
11	K1541369	motor guard	1	1	
12	K1260311	stepper motor	1	1	
15	K1541361	baffle	1	1	
16	K1907022	installation plate assembly	1	1	
18	K1819726	stepper motor	1	1	
20	K1541375	motor guard	1	1	
21	K1572986	level vane	1	1	
24	K1541368	connecting rod	1	1	
28	K1541622	cross-flow fan blade	1	1	
29	K2325671	Refrigeration system	1	1	
30	K1849438	shell	1	1	
32	K1849440	decorative panel	1	1	
31	K1849439	decorative panel	1	1	
33	K1851518	decorative strip	1	1	
34	K1541386	Filter net	2	1	
35	K2186246	wireless remote control switch	1	1	
36	K1383891	Temperature sensor	1	1	
37	K1387643	Temperature sensor	1	1	
39	K1875496	display assembly	1	1	
40	K1803134	Panel pattern	1	1	
41	K1803125	carton pattern	1	1	
42	K1281901	Plastic Bag	1	1	
43	K1860138	remote control holder	1	1	
44	K2144940	WIFI module	1	1	

版本: 版



借(通)用件登记  
 旧底图总号  
 底图总号  
 出图审查  
 日期

				G2D-TG-定速-四向送风-室内供电-2感温器		阶段标记		重量		比例	
				爆炸图							
标记	处数	更改文件号	签字	日期			共1	张	第1	张	
设计		陈正忠									
校对	*		标准化	*							
审核	*		批准	*							
工艺	*		日期	*							

海信科龙空调公司