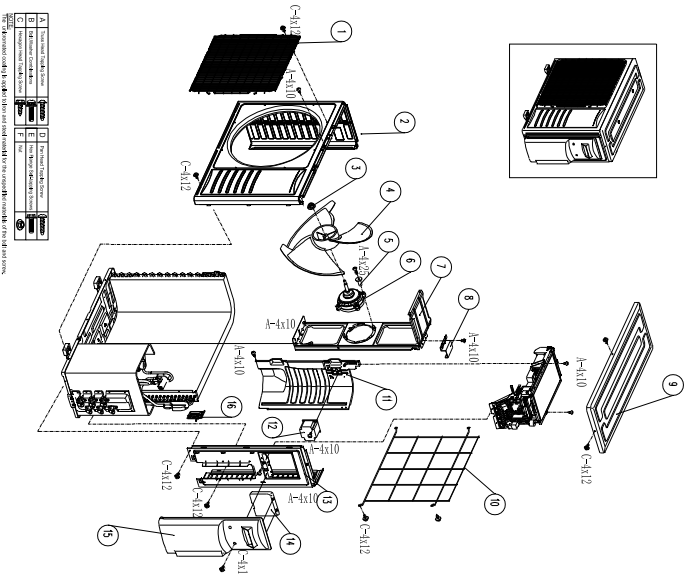


No	PartNo	PartName	quantity	Level
1	K2106680	fan guard	1	1
2	K2112437	panel	1	1
3	K1263647	hexagon nut	1	1
4	K1559520	propeller fan blade	1	1
5	K2119437	Cross recessed pan head tapping screw	4	1
6	K1859837	DC motor	1	1
7	K1963835	motor supporter	1	1
8	K1834430	connecting board	1	1
9	K1961485	top plate	1	1
10	K1929744	back guard	1	1
11	K2087707	clapboard part	1	1
12	K1302261	PFC inductor	1	1
13	K1982353	right side plate	1	1
14	K1982356	strengthen plate	1	1
15	K1982355	valve cover	1	1
16	K1546721	temperature sensor seat	1	1
17	K2328426	Condenser assembly	1	1
18	K2079329	4-way reversing valve assembly	1	1
19	K1511783	Four-way valve coil	1	1
20	K2079361	Variable frequency compressor	1	1
21	K1980925	Electronic expansion valve coil	1	1
22	K1980924	Electronic expansion valve coil	1	1
23	K2079330	outlet tube assembly	1	1
24	K2098054	noise-insulation cotton	1	1
25	K2079105	noise-insulation cotton	1	1
26	K1854710	tube type electric heater	1	1
27	K2083031	valve seat	1	1
28	K2083034	mounting plate	1	1
29	K2080343	base holder part	1	1
30	K1928912	Electric heating belt	1	1
31	K1203995	Welding hex nuts	3	1
32	K1807108	mounting plate	1	1
33	K1854042	fixing clip	1	1
34	K1982348	electric box cover	1	1
35	K2361966	Outdoor main control panel assembly	1	1
36	K1487330	mounting plate	1	1
37	K1440764	insulated spacer block	2	1
38	K1982352	radiator	1	1
39	K2080215	electric box	1	1
40	K1982666	connecting board parts	1	1
41	K1993154	terminal Block	3	1
42	K1982350	mounting plate	1	1
43	K2078758	terminal Block	1	1
44	K1983163	Display board	1	1
45	K1982477	Temperature sensor	1	1
46	K1982478	Temperature sensor	1	1

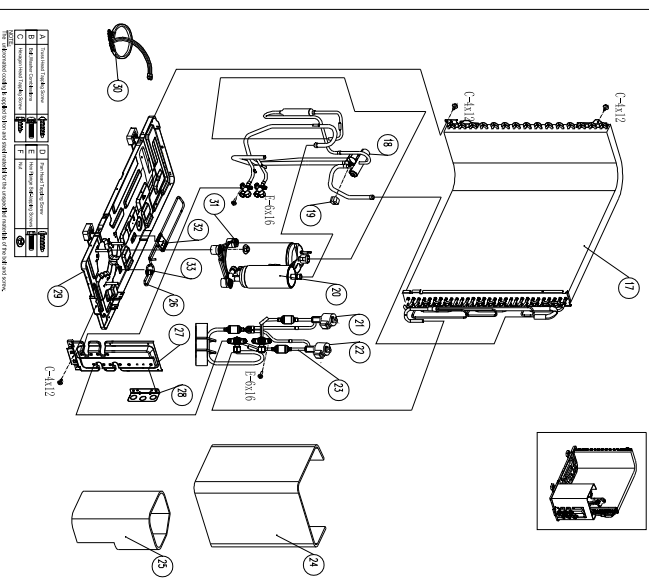
LOCATION OF SERVICE PARTS IN THE UNIT



-1-

LOCATION OF SERVICE PARTS IN THE UNIT

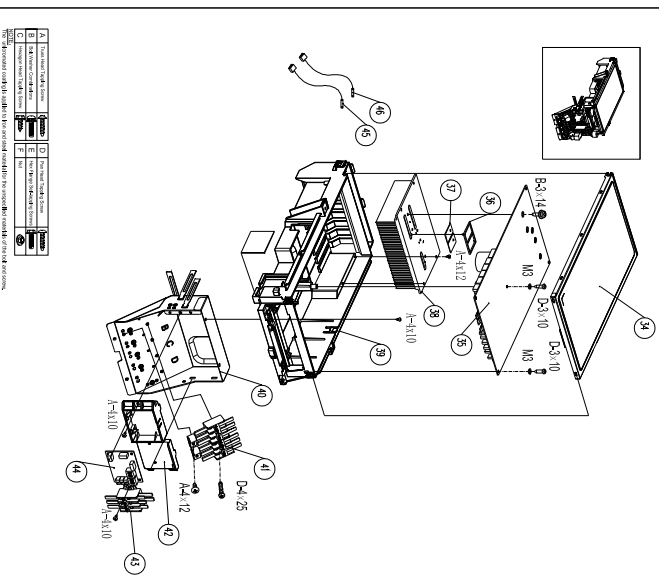
<Refrigerant Cycle>



-2-

LOCATION OF SERVICE PARTS IN THE UNIT

<Electrical Parts>



-3-