

Project Name:	
Location:	
Engineer:	
Submitted to:	
Submitted by:	
Reference:	

Approval:	
Date:	
Construction:	
Unit #:	
Drawing #:	

Description: Hi-Xtreme, Indoor Unit



Indoor Unit Model:

AST-09UW3SXEDH01

AST-12UW3SXEDH02

AST-18UW3SBBDH01

KEY FEATURES

Indoor Unit Features

- ❑ Easy install
- ❑ "8°C Heat" in remote controller + Auto Restart
- ❑ 2 Ways Draining Connection (Left or Right) + air flow
- ❑ Washable High Definition Filter
- ❑ Indoor Self-Cleaning
- ❑ Control:
 - ❖ Remote controller included
 - ❖ ConnectLife smart device app for remote access(Separate module needed)
 - ❖ Optional wiring control

Technical Spec.

Performance:

Model#			AST-09UW3SXEDH01	AST-12UW3SXEDH02
Cooling	Cooling Capacity	Btu/h	9000	12000
Heating	Heating Capacity	Btu/h	9500	13000

Electrical:

Power Supply 230V~,208V~,60Hz,1P

Indoor Unit Specifications:

Fan Motor Output	W	25	25
Fan Motor Speed (H/M/L)	RPM	1150/990/800	1150/990/800
Moisture Removal	L/H.r	0.9	1.2
Air Circulation (Ultra\High\Medium\Low)	m3/h	620 / 520 / 430	640 / 550 / 430
Sound Pressure (Higer/H/M/L/silence)	dB (A)	42/39/35/32/29	42/40/36/32/29

Performance:

Model#			AST-18UW3SBBDH01	
Cooling	Cooling Capacity	Btu/h	18000	
Heating	Heating Capacity	Btu/h	19000	

Electrical:

Power Supply 230V~,208V~,60Hz,1P

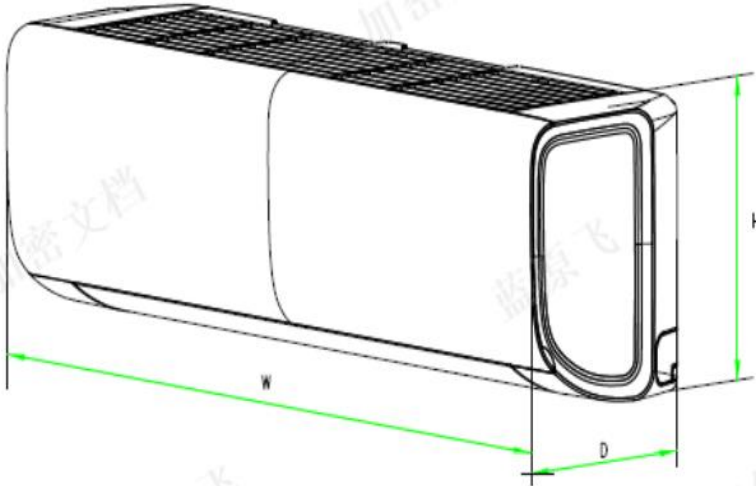
Indoor Unit Specifications:

Fan Motor Output	W	35	
Fan Motor Speed (H/M/L)	RPM	1200/1040/880	
Moisture Removal	L/H.r	1.5	
Air Circulation (Ultra\High\Medium\Low)	m3/h	950 / 800 / 650	
Sound Pressure (Higer/H/M/L/silence)	dB (A)	48/45/41/39/35	

DIMENSIONAL DRAWING
Indoor Unit

Indoor Unit Model:
AST-09UW3SXEDH01
AST-12UW3SXEDH02

Unit: inch(mm)



	W	H	D
mm	815	270	212
inch	32.1	10.6	8.3

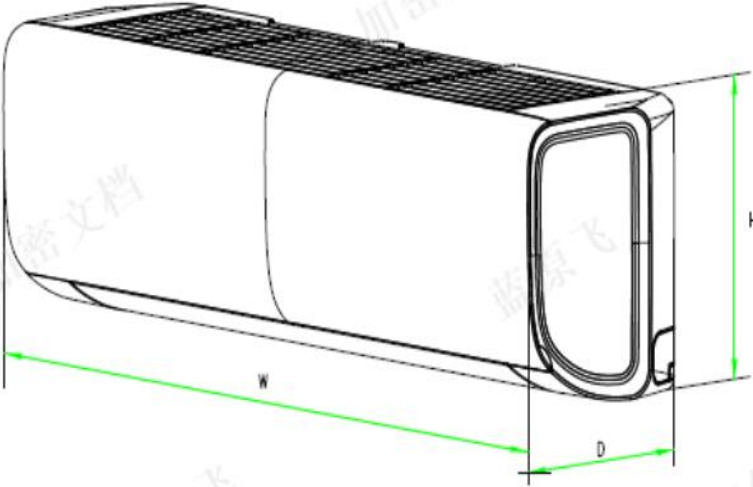


	W	H	D
mm	843	278	211
inch	33.1	11	8.5

DIMENSIONAL DRAWING Indoor Unit

Indoor Unit Model:
AST-18UW3SBBDH01

Unit: inch(mm)



	W	H	D
mm	1085	315	235
inch	42.7	12.4	9.3

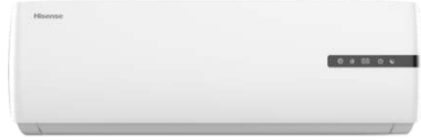


	W	H	D
mm	1128	320	243
inch	44.4	12.6	9.6

Project Name:	
Location:	
Engineer:	
Submitted to:	
Submitted by:	
Reference:	

Approval:	
Date:	
Construction:	
Unit #:	
Drawing #:	

Description: Hi-ULTRA, Indoor Unit



Indoor Unit Model:

AST-09UW3SVEDH01
 AST-12UW3SXEDH01
 AST-18UW3SBBDH00
 AST-24UW3SDBDH01

KEY FEATURES

Indoor Unit Features

- ❑ Easy install
- ❑ "8°C Heat" in remote controller + Auto Restart
- ❑ 2 Ways Draining Connection (Left or Right) + air flow
- ❑ Washable High Definition Filter
- ❑ Indoor Self-Cleaning
- ❑ Control:
 - ❖ Remote controller included
 - ❖ ConnectLife smart device app for remote access(Separate module needed)
 - ❖ Optional wiring control

Technical Spec.

Performance:

Model#			AST-09UW3SVEDH01	AST-12UW3SXEDH01
Cooling	Cooling Capacity	Btu/h	9000	12000
Heating	Heating Capacity	Btu/h	9500	13000

Electrical:

Power Supply	230V~,208V~,60Hz,1P
--------------	---------------------

Indoor Unit Specifications:

Fan Motor Output	W	25	25
Fan Motor Speed (H/M/L)	RPM	1100/940/800	1150/990/800
Moisture Removal	L/H.r	0.9	1.2
Air Circulation (Ultra\High\Medium\Low)	m3/h	650/580/500/420	670/620/530/430
Sound Pressure (Higer/H/M/L/silence)	dB (A)	42/39/32/29/26	42/39/32/29/26

Performance:

Model#			AST-18UW3SBBDH00	AST-24UW3SDBDH01
Cooling	Cooling Capacity	Btu/h	18000	23400
Heating	Heating Capacity	Btu/h	19000	26000

Electrical:

Power Supply	230V~,208V~,60Hz,1P
--------------	---------------------

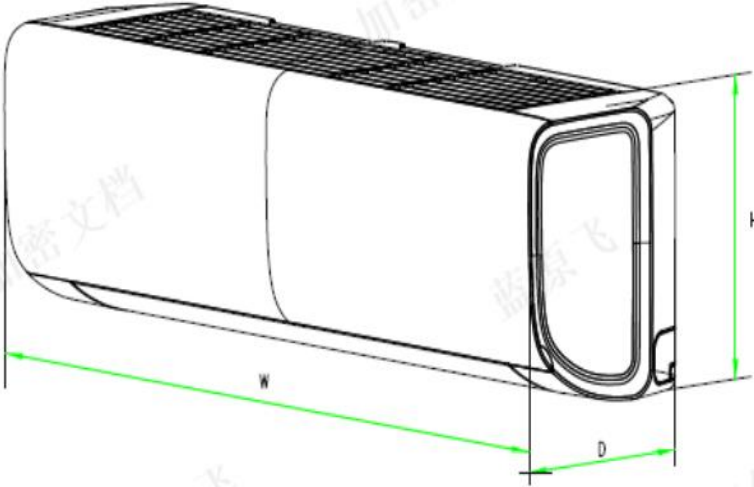
Indoor Unit Specifications:

Fan Motor Output	W	35	35
Fan Motor Speed (H/M/L)	RPM	1100/960/800	1200/1040/880
Moisture Removal	L/H.r	1.5	2.4
Air Circulation (Ultra\High\Medium\Low)	m3/h	1100/1000/820/650	1200/1100/950/750
Sound Pressure (Higer/H/M/L/silence)	dB (A)	48/45/41/37/34	50/47/42/36/33

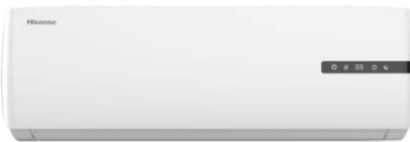
DIMENSIONAL DRAWING Indoor Unit

Indoor Unit Model:
AST-09UW3SVEDH01
AST-12UW3SXEDH01

Unit: inch(mm)



	W	H	D
mm	815	270	212
inch	32.1	10.6	8.3

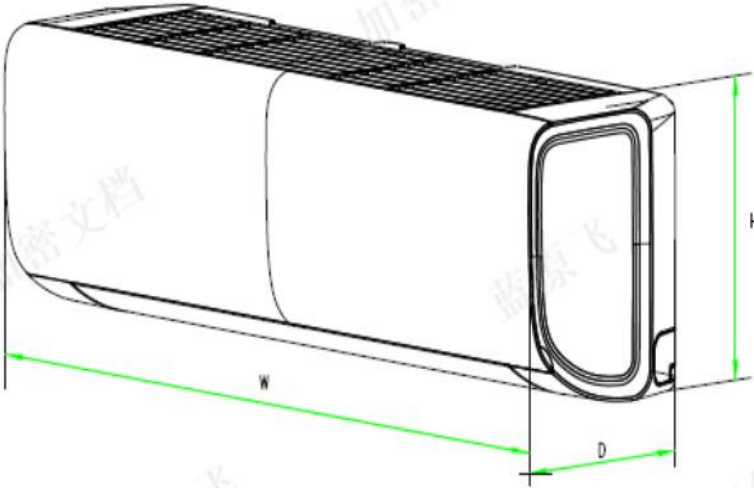


	W	H	D
mm	843	278	211
inch	33.1	11	8.5

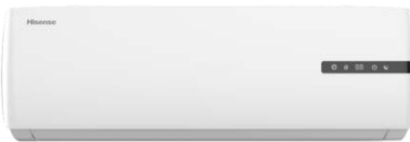
DIMENSIONAL DRAWING Indoor Unit

Indoor Unit Model:
AST-18UW3SBBDH00
AST-24UW3SDBDH01

Unit: inch(mm)



	W	H	D
mm	1085	315	235
inch	42.7	12.4	9.3



	W	H	D
mm	1128	320	243
inch	44.4	12.6	9.6