

Project Name:	
Location:	
Engineer:	
Submitted to:	
Submitted by:	
Reference:	

Approval:	
Date:	
Construction:	
Unit #:	
Drawing #:	

Description:
Hi-Uni, Single Zone, Cassette Type Indoor Unit



Indoor Unit Model:
 ACT-09UR3SCA
 ACT-12UR3SCA



Indoor Unit Model:
 ACT-18UR3SGB
 ACT-24UR3SGB
 AUC-36UR3SHB1

KEY FEATURES

Indoor Unit Features

- ❑ Universal indoor unit for both single-zone and multi-zones
- ❑ Self diagnostic and error code display
- ❑ Quiet operation down to 38 dBA sound pressure level
- ❑ Vertical auto-swing function for efficient air distribution throughout the room
- ❑ Outside-air intake and branch duct run Knockouts
- ❑ Standard drain pump with 47.2" lift
- ❑ Accessible and Washable filter
- ❑ Multiple control options available:
- ❑ Control:
 - ❖ Remote controller included
 - ❖ ConnectLife smart device app for remote access(Separate module needed)
 - ❖ Optional wiring control

Technical Spec.

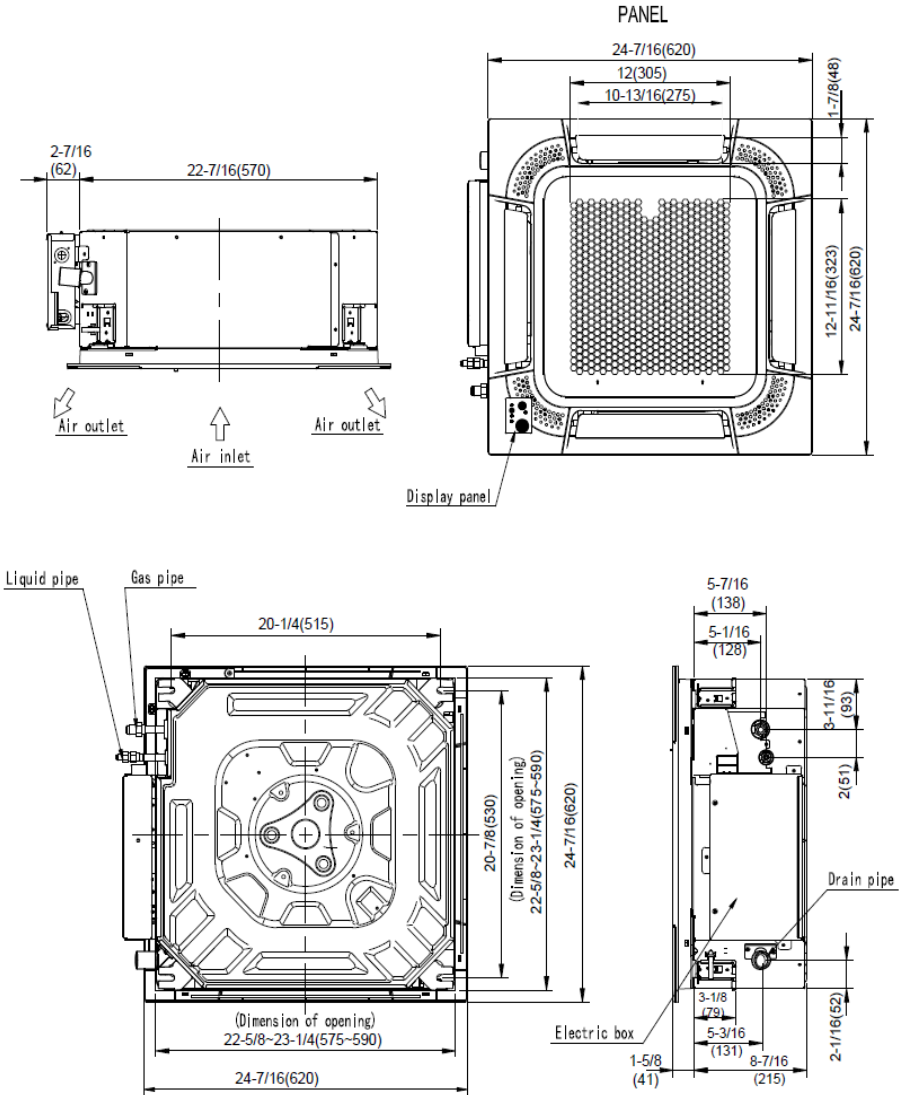
<u>Indoor Model Number</u>		ACT-09UR3SCA	ACT-12UR3SCA	ACT-18UR3SGB	ACT-24UR3SGB	AUC-36UR3SHB1
<u>Indoor fan motor</u>						
Model		SIC-62FW-D857-15	SIC-62FW-D857-15	EHDS50AQH	EHDS50AQH	SIC-72FW-D8124-28
Type		DC	DC	DC	DC	DC
Input		57	57	80	80	124
RLA	A	0.25	0.4	0.4	0.4	0.68
LRA	A	---	---	---	---	---
Winding Resistance	Ω	---	---	---	---	---
Capacitor	uF	---	---	---	---	---
Speed(Hi/Mi/Lo)	r/min	600/500/400	690/600/500	400/320/260	600/480/390	630/600/570
<u>Air flow & Noise level</u>						
Indoor air flow (Hi/Lo)	CFM	309/274/232	324/294/235	588/500/394	647/530/400	941//794/676
Indoor noise level (Hi/Lo)	dB(A)	38/34/31	42/37/33	38/36/34	44/40/38	49/43/39
<u>Indoor unit</u>						
Dimension(W*H*D)	inch	22-1/2×8-1/2×22-1/2	22-1/2×8-1/2×22-1/2	33-1/8×9-3/4×33-1/8	33-1/8×9-3/4×33-1/8	33-1/8×11-3/4×33-1/8
Packing (W*H*D)	inch	28-3/4 ×11-1/2 ×26-1/4	28-3/4 ×11-1/2 ×26-1/4	39-1/4 ×14-5/8 ×37-5/8	39-1/4 ×14-5/8 ×37-5/8	39-1/4 ×16-1/2 ×37-5/8
Net/Gross weight	lbs.	32/38.5	34/40.5	56/76	59.5/79.5	70.5/90.5

DIMENSIONAL DRAWING Ceiling Cassette

Indoor Unit Model:

ACT-09UR3SCA
ACT-12UR3SCA

Unit: inch(mm)



DIMENSIONAL DRAWING
Ceiling Cassette

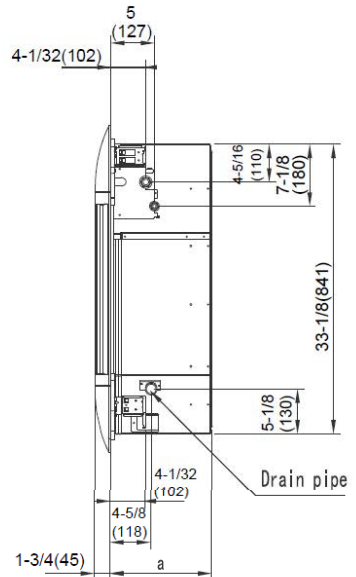
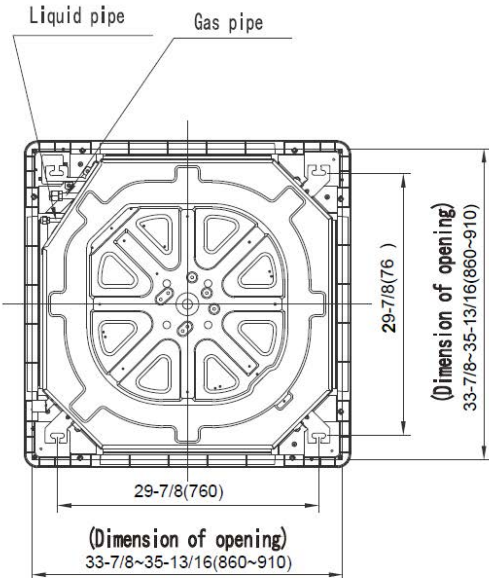
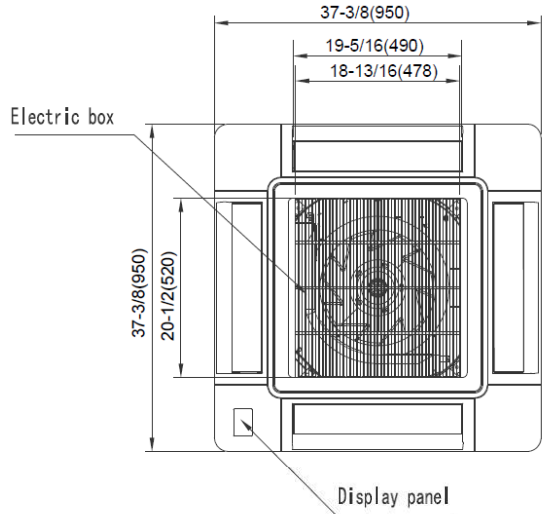
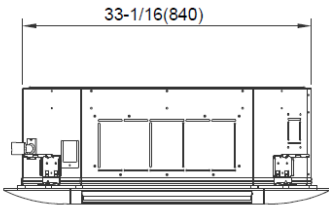
Indoor Unit Model:

ACT-18UR3SGB

ACT-24UR3SGB

AUC-36UR3SHB1

Unit: inch(mm)



Model	a
18K/24K	9-3/4(248)
36K	11-3/4(298)