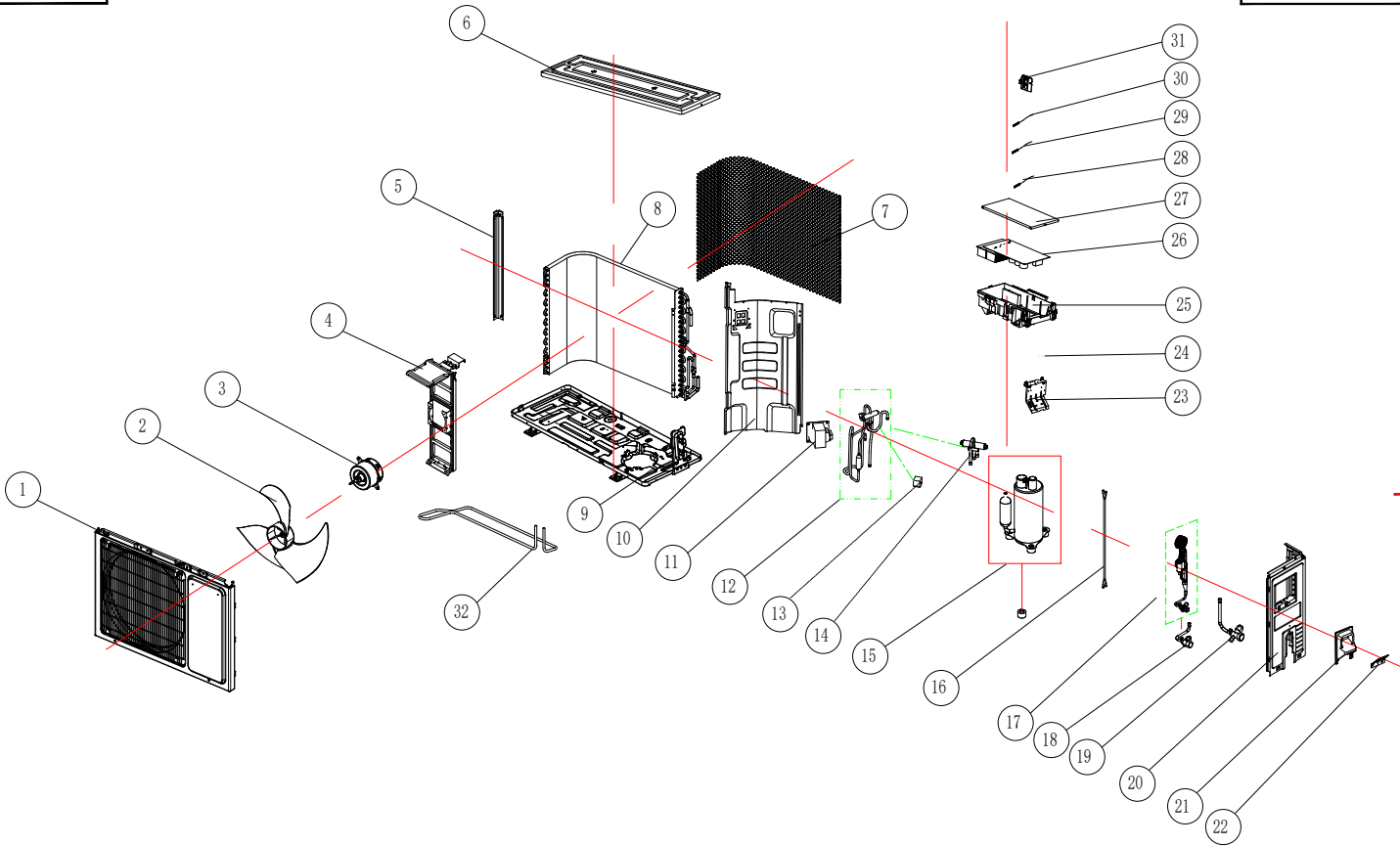


No	PartNo	PartName	quantity	Level	Sub-part No
1	K1935544	panel parts	1	1	
2	K1556766	propeller fan blade	1	1	
3	K1854829	AC motor	1	1	
4	K1849292	motor supporter assembly	1	1	
5	K1846086	mounting plate	1	1	
6	K1865978	top plate part	1	1	
7	K1850382	back guard	1	1	
8	K1854847	Condenser assembly	1	1	
9	K1903261	base holder part	1	1	
10	K1883476	clapboard part	1	1	
11	K1513622	PFC inductor	1	1	
12	K1850547	4-way reversing valve assembly	1	1	K1408045,K1511783
13	K1511783	Four-way valve coil	1	2	
14	K1408045	4-way reversing valve	1	2	
15	K1850482	compressor parts	1	1	
16	K1938339	connecting wire for compressor	1	1	
17	K2306683	Capillary assembly	1	1	
18	K1405371	1/4" inch 2-way valve	1	1	
19	K2226507	valve assembly	1	1	
20	K1854616	right side plate part	1	1	
36	K1863156	terminal cover parts	1	1	K1854034,K1854040
21	K1854040	terminal cover	1	2	
22	K1854034	fixed plate	1	2	
23	K1842392	connecting board	1	1	
24	K1852124	terminal Block	1	1	
26	K1854308	Controller Component	1	1	K1841985,K1546706
25	K1841985	electric box	1	2	
27	K1546706	electric box cover	1	2	
28	K1472663	Temperature sensor	1	1	
29	K1472664	Temperature sensor	1	1	
30	K1831029	Temperature sensor	1	1	
31	K1546721	temperature sensor seat	1	1	
32	K1854766	tube type electric heater	1	1	
33	K1849293	carton pattern	1	1	
34	K1281888	Plastic Bag	1	1	
35	K1858814	valve cover	1	1	

零件号/版本:*****/*



备注(同件备注)
 封面图号
 视图号
 出图号
 日期

缓涂 /		W2N-W1P变频冷暖铁接盖 *		图例	比例
爆炸图		共1张		第1张	
设计	日期	审核	日期	投影识别符号	
制图	日期	批准	日期	海信科龙空调公司	