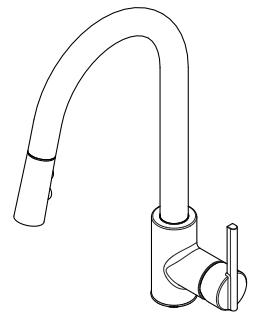


## Brislin™ Pull-Down Kitchen Faucet

- GT529-BIB Finish(B)
- GT529-BIBG Finish(BG)
- GT529-BIC Finish(C)
- GT529-BID Finish(D)
- GT529-BIS Finish(S)



### Specifications

- AutoDock™ Sprayhead
- Pforever Seal™

### Features

- 1.8 GPM Flow Rate
- 2 Function Pull-Down Sprayer (Spray and Stream)
- 3/8" Connections
- 36" Integrated Nylon Braided Supply Lines
- 360° Rotating High Arc Spout
- 15" Pull-Down Hose Length
- Nylon Hose
- AutoDock™ Self-Retracting Sprayhead
- Forward Handle Operation
- Optional Deckplate, Order 961-276\* Separately
- Wipe Clean™ Nozzles
- Pfaster Connect™
- TiteSeal™ Technology
- Pforever Seal™ Ceramic Disc Valve
- Limited Lifetime Warranty



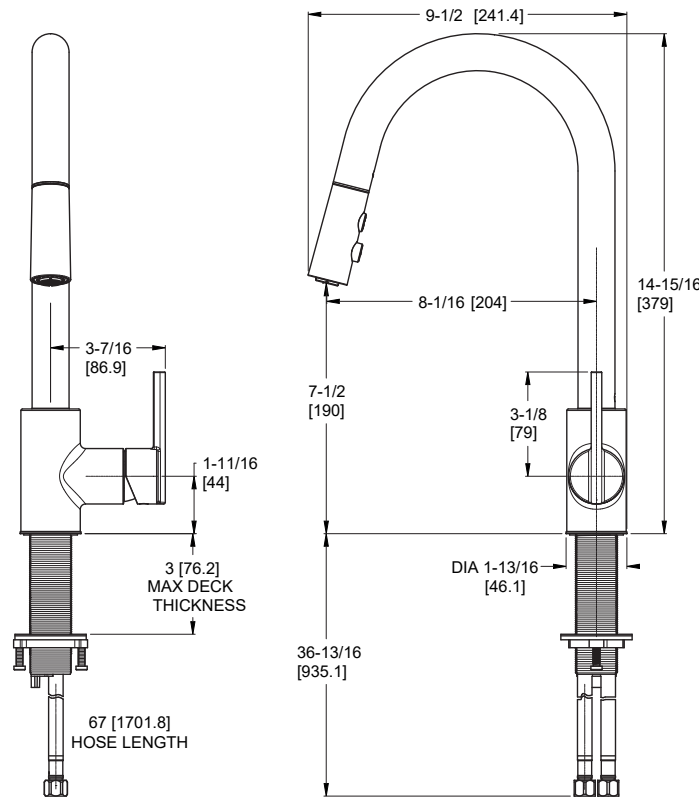
### Code Compliance

Pfister products are designed and manufactured in compliance with the following standards and codes:

- IAPMO Certified to ASME A112.18.1/CSA B125.1 including:
  - ASME A112.18.3 (Backflow Prevention)
- NSF/ANSI/CAN61:Q≤1
- CEC Certified/CALGreen compliant
- ADA Compliant - ANSI A117.1 (Lever Handles Only)



### Dimensions



Optional Aerators Available	
GPM	Part Number
0.5 GPM	941-818
1.0 GPM	941-450
1.5 GPM	941-787



Optional Deckplate

Ø1-3/8 Min to Ø1-1/2 Max. Deck Hole Openings