

ZEHN

3-WAY THERMOSTATIC SHOWER TRIM

TM.Z4.320.310

Components Included

- **TM.Z4.320** - Trim for 3-way thermostatic valve
- **SH.09.0808** - 8" round full brass shower head
- **WA.09.16** - 16" wall mount shower arm with ½" male NPT connection
- **BH.09.05** - 27" sliding shower bar with hose and 4-function hand shower (HS.09.05)
- **EC.09.01** - Round brass elbow connector with ½" female NPT connection
- **TS.09.07** - 8" brass tub spout ½" female NPT connection

Available Finishes

- Chrome (CC)
- Matte Black (MB)
- Polished Nickel (PN)
- Brushed Gold (BG)
- Matte Black/Chrome (CB)
- Matte Black/Stainless Steel (SB)
- Matte Black/Polished Nickel (PB)
- Matte Black/Brushed Gold (BGB)

(Model Pictured: Chrome)

Codes / Standards

- Uniform Plumbing Code (UPC®)
- ASME A112.18.1/CSA B125.1
- ASSE 1016

Warranty

- Limited lifetime warranty against all manufacturing defects to the original consumer purchaser (see full warranty for more details)



ZEHN 3-WAY THERMOSTATIC TRIM WITH 4-SPOKE HANDLES

TM.Z4.320

Description

- **TM.Z4.320** - Trim for 3-way thermostatic valve
- 5 positions

Flow Rate

- 6.2 gpm / 23.4 lpm / 60 psi

Cartridge

- CE.1401.TT - cartridge
- CE.1708.DR - diverter

Available Finishes

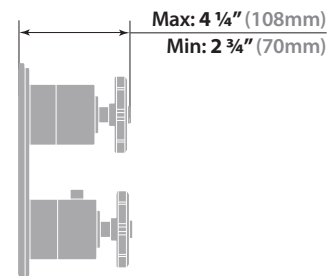
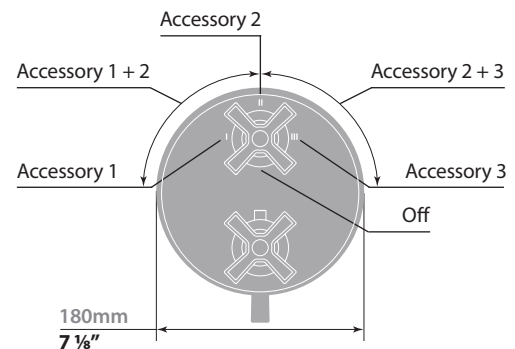
- Chrome (CC)
- Matte Black (MB)
- Polished Nickel (PN)
- Brushed Gold (BG)
- Matte Black/Chrome (CB)
- Matte Black/Stainless Steel (SB)
- Matte Black/Polished Nickel (PB)
- Matte Black/Brushed Gold (BGB)

(Model Pictured: Chrome)

Codes / Standards

- Uniform Plumbing Code (UPC®)
- ASME A112.18.1/CSA B125.1
- ASSE 1016

Warranty



16" WALL ARM

WA.09.16

Description

- 16" wall mount shower arm with 1/2" male NPT connection
- Round pipe with round escutcheon plate

Available Finishes

- Chrome (CC)
- Matte Black (MB)
- Polished Nickel (PN)
- Brushed Gold (BG)
- Matte Black/Chrome (CB)
- Matte Black/Stainless Steel (SB)
- Matte Black/Polished Nickel (PB)
- Matte Black/Brushed Gold (BGB)

(Model Pictured: Chrome)

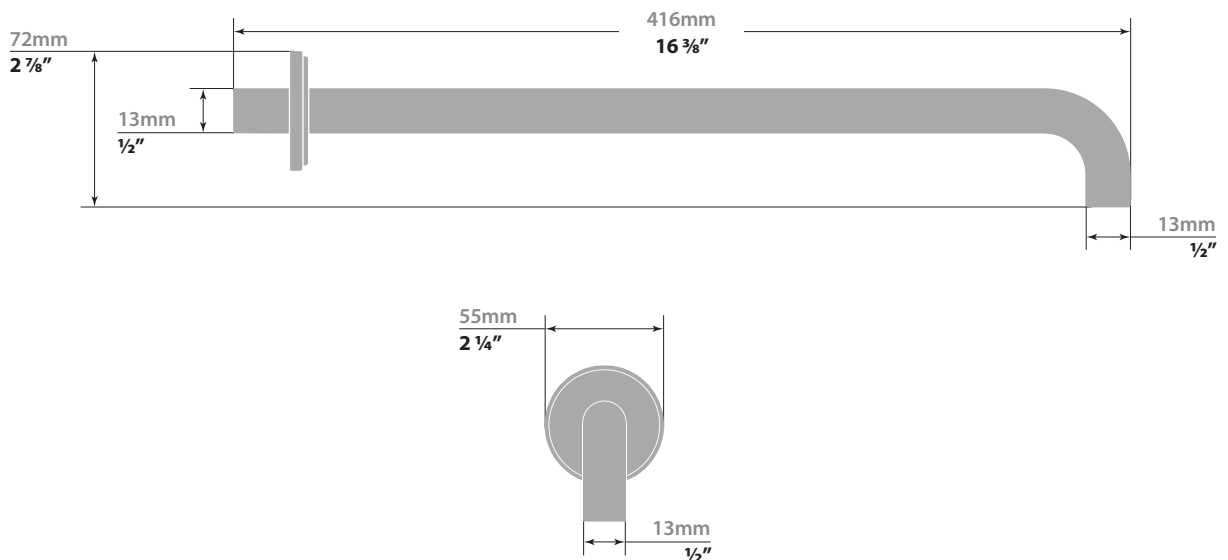


Codes / Standards

- Uniform Plumbing Code (UPC®)
- ASME A112.18.1/CSA B125.1

Warranty

- Limited lifetime warranty (see full warranty for details)



8" ROUND SHOWER HEAD

SH.09.0808

Description

- 8" round full brass shower head
- Anti-limescale technology

Flow Rate

- 2 gpm / 7.6 lpm / 60 psi

Available Finishes

- Chrome (CC)
- Matte Black (MB)
- Polished Nickel (PN)
- BrushedGold (BG)

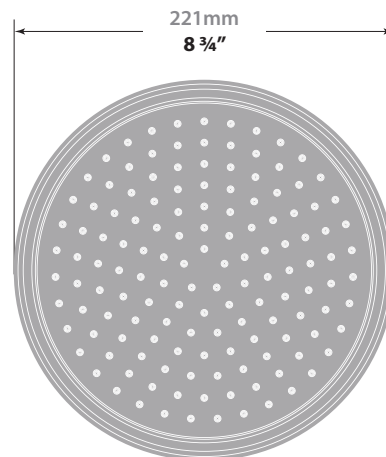
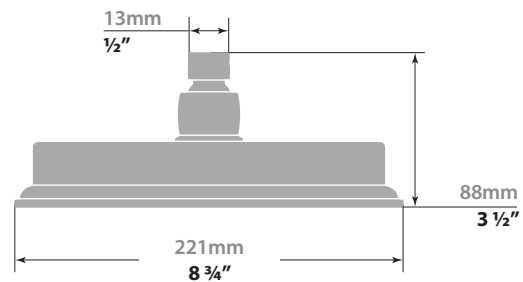
(Model Pictured: Chrome)

Codes / Standards

- Uniform Plumbing Code (UPC®)
- ASME A112.18.1/CSA B125.1

Warranty

- Limited lifetime warranty
(see full warranty for details)



ZEHN

SLIDING SHOWER BAR WITH HANDSHOWER

BH.09.05

Description

- SB.09.27 - 27" sliding shower bar
- HE.150 - 59" hose
- HS.09.05 - 4-function hand shower

Flow Rate

- 2.0 gpm / 7.6 lpm / 60 psi

Available Finishes

- Chrome (CC)
- Matte Black (MB)
- Polished Nickel (PN)
- Brushed Gold (BG)
- Matte Black/Chrome (CB)
- Matte Black/Stainless Steel (SB)
- Matte Black/Polished Nickel (PB)
- Matte Black/Brushed Gold (BGB)

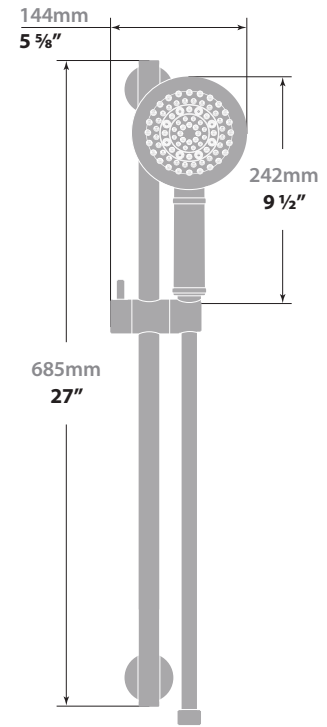
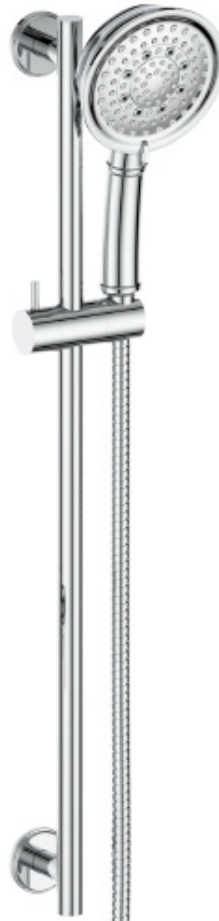
(Model Pictured: Chrome)

Codes / Standards

- Uniform Plumbing Code (UPC®)
- ASME A112.18.1/CSA B125.1
- ASSE 1016

Warranty

- Limited lifetime warranty
(see full warranty for details)



ROUND WALL SUPPLY ELBOW

EC.09.01

Description

- Round brass elbow connector with 1/2" female NPT connection

Available Finishes

- Chrome (CC)
- Matte Black (MB)
- Polished Nickel (PN)
- Brushed Gold (BG)
- Matte Black/Chrome (CB)
- Matte Black/Stainless Steel (SB)
- Matte Black/Polished Nickel (PB)
- Matte Black/Brushed Gold (BGB)

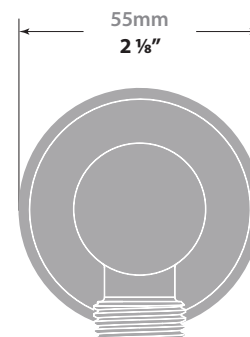
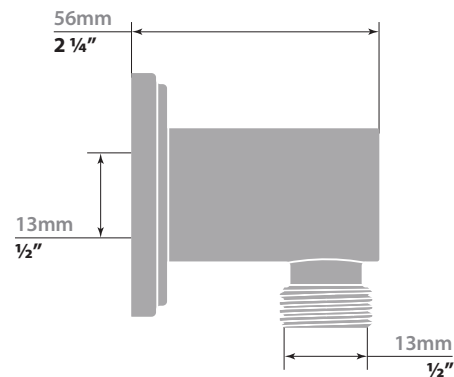
(Model Pictured: Chrome)

Codes / Standards

- Uniform Plumbing Code (UPC®)
- ASME A112.18.1/CSA B125.1

Warranty

- Limited lifetime warranty (see full warranty for details)



ZEHN TUB SPOUT

TS.09.07

Description

- Brass tub spout with 1/2" female NPT connection

Available Finishes

- Chrome (CC)
- Matte Black (MB)
- Polished Nickel (PN)
- Brushed Gold (BG)
- Matte Black/Chrome (CB)
- Matte Black/Stainless Steel (SB)
- Matte Black/Polished Nickel (PB)
- Matte Black/Brushed Gold (BGB)

(Model Pictured: Chrome)



Codes / Standards

- Uniform Plumbing Code (UPC®)
- ASME A112.18.1/CSA B125.1
- ASSE 1016

Warranty

- Limited lifetime warranty (see full warranty for details)

