

TECHNICAL SPECIFICATIONS



C96Q SERIES (WSX-C)

Model	BTU	Width	Height	Depth	A.F.U.E
WSX040T2AB-C	40,000	17 1/2"	34"	29 1/2"	Up to 96.0% Certified through AHRI
WSX060T3AB-C	60,000				
WSX080T3AB-C	80,000				



FEATURES & BENEFITS

The C96Q Series High Efficiency Gas Furnace may be installed in two positions, alcove or closet installations that require zero clearance. Certified by CSA for application in Canada and the United States.

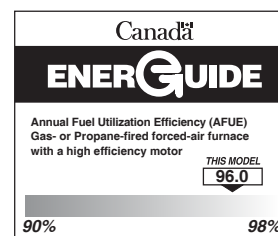
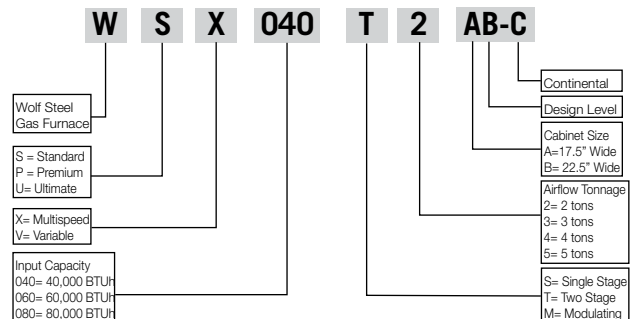
- High efficiency multispeed ECM Blower Motor
- T140 Aluminized Wrinkle Bent Primary Heat Exchanger Tubes
- 29-4C Stainless Steel Heat Recovery Coil
- Aluminized Multi-Port In-Shot Burners
- Self Diagnostic Integrated Furnace Control
- Zero clearance in all positions
- Multi-fit: upflow and horizontal right
- Premium hot surface igniter
- Direct and Single Vent installation approved
- Concentric Venting Approved
- One Propane Conversion Kit
- Canada: Certified to 4500 ft (1372m)*
- U.S.A.: Certified to 7800 ft (2372m)*
- 100% Units factory fired
- External Condensate Trap for easy service
- Clear Front Manifold Cover
- Modular heating and blower section for easy service
- Sealed Vestibule and Blower Compartments for quiet operation
- Low fire is 70% of high fire rate
- High flow rate condensate drain
- Can be used for new construction heat

* See rating plate for more information

MODEL BREAKDOWN

Heating Capacities					
C96Q SERIES	WSX040T2AB-C	WSX060T3AB-C	WSX080T3AB-C		
MOTOR	Multispeed	Multispeed	Multispeed		
EFFICIENCY	96.0%	96.0%	96.0%		
INPUT (BTU/HR)	40,000	60,000	80,000		
OUTPUT (BTU/HR)	38,000	58,000	77,000		
Airflow Cooling					
BLOWER SIZE	112-6RDD	112-8RDD	112-8RDD		
MOTOR SIZE	1/3 HP	1/2 HP	1/2 HP		
AC TONNAGE	1 1/2, 2, 2 1/2	2, 2 1/2, 3	2, 2 1/2, 3		
Airflow (CFM)					
ESP (in. WC)	LOW HEAT (1)	HIGH HEAT (2)	1.5T COOL (3)	2.0T COOL (4)	2.5T COOL (5)
Model: WSX040T2AB-C					
0.5	167	477	364	696	912
0.1	515	637	549	809	1013
Model: WSX060T3AB-C					
ESP (in. WC)	LOW HEAT (1)	HIGH HEAT (2)	2T COOL (3)	2.5T COOL (4)	3T COOL (5)
0.5	528	842	680	1010	1209
0.12	747	1002	860	1165	1327
Model: WSX080T3AB-C					
ESP (in. WC)	LOW HEAT (1)	HIGH HEAT (2)	2T COOL (3)	2.5T COOL (4)	3T COOL (5)
0.5	583	1028	712	931	1328
0.2	755	1146	866	1068	1418

NOMENCLATURE



Wolf Steel LTD., 24 Napoleon Rd., Barrie, ON
L4M 0G8 Canada. Phone 866-820-8686

www.continentalcomfort.com

W415-4073 / A / 09.14.22

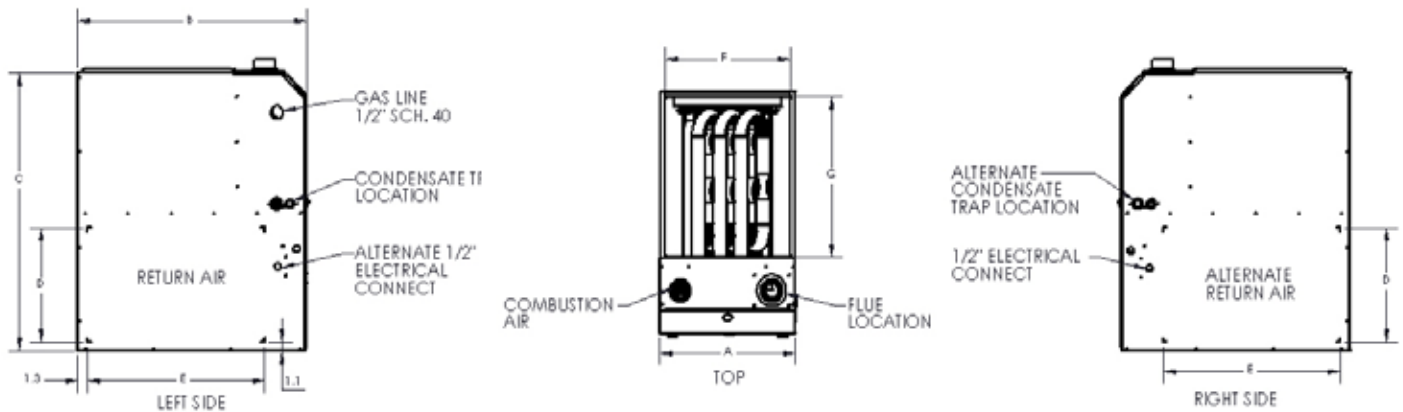
C96Q SERIES (WSX-C)



Product information provided is not complete and is subject to change without notice. Please consult the installation manual for the most up to date installation information.

Cabinet Dimensions

TABLE A - FURNACE DIMENSIONS					
INPUT K/BTU/Hr	WIDTH - A	DEPTH - B	HEIGHT - C	SUPPLY AIR (F x G)	RETURN AIR (F x G)
40	17 1/2" (445mm)	29 1/2" (749mm)	34" (864mm)	16 1/4" x 19 5/8" (413mm x 499mm)	14" x 23" (356mm x 584mm)
60					
80					



Venting

In Canada:

Furnace must be vented with ULC S636 PVC manufactured by IPEX, Royal Building Products (GVS-65 & GVS90), M&G Duravent (PPE) or Centrotherm (InnoFlue).

In United States:

- Schedule 40 PVC, ASTM D1785 or CSA B137.3
- PVC-DWV, ASTM D2665 or CSA B181.2
- Schedule 40 CPVC, ASTM F441 or CSA 137.6
- PVC Primer and Solvent Cement: ASTM D2564
- PPE ULC S636 manufactured by M&G Duravent - must terminate using 45 and 90 degree elbows, or a tee.

EQUIVALENTS:

Short Radius Elbow = 7 ft (2.13m)
 Standard Radius Elbow = 5 ft (1.52m)
 Long Radius Elbow = 3 ft (0.91m)
 45 Degree Elbow = 2.5 ft (0.76m)
 Tee

Vent lengths that require more than 6-90° elbows, add listed equivalents for every elbow up to the maximum allowable vent length.

Warranty

PRESIDENT'S LIMITED WARRANTY (Registered)

To the original registered owner and his or her spouse ("owner"), the **HEAT EXCHANGER*** is warranted for the owner's **LIFETIME** or so long as the owner owns the home in which the unit was originally installed, and **all remaining parts** as warranted for a period of **10 YEARS**, except as provided below. These warranties apply only if:

- The unit is installed in an owner-occupied, primary single family residence, and
- The unit is properly registered with Continental® online within 60 days after the original installation. To register, go to www.continentalheatingandcooling.com. Some states and provinces do not allow limitations on how long an implied limited warranty lasts or do not allow the exclusion or limitation of incidental or consequential damages, so the above limitation or exclusion may not apply to you. This limited warranty gives you specific legal rights, and you may also have other rights which vary by jurisdiction.

With respect to the Heat Exchanger, if the heat exchanger fails within:

- the first 10 years for C95 / C96 Series
- the first 15 years for C97 Series

Continental® will, at its discretion, provide a new equivalent gas furnace. After the 10 years (15 years - C97 Series), Continental® may choose to credit its prorated wholesale value towards the purchase of a new Continental® furnace.

OR

LIMITED WARRANTY (Not Registered)

If not registered within 60 days, the **HEAT EXCHANGER** is warranted for a period of **20 YEARS** (pro rated), and **all remaining parts** are warranted for a period of **5 YEARS**, all other limitations apply.

With respect to the heat exchanger, Continental® at its discretion, after 5 years may choose to provide a credit towards a replacement Continental® gas furnace.