

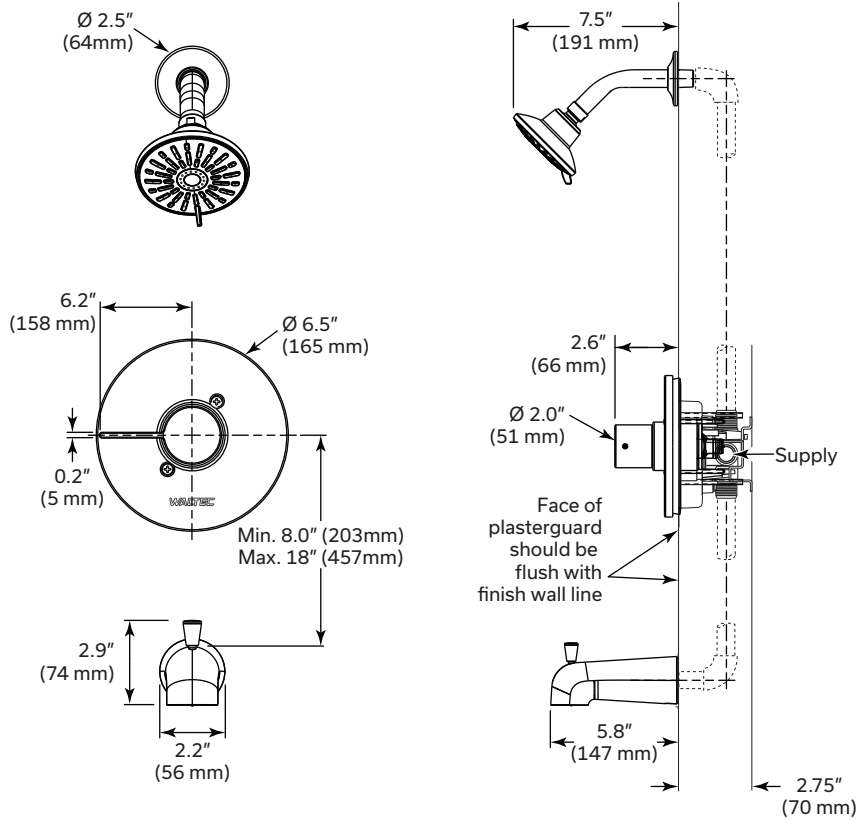


TUB AND SHOWER FAUCET TRIM

- Tub/Shower (W14218▲)
- Shower Only (W14228▲)
- Valve Trim Only (W14238▲)

STANDARD SPECIFICATIONS:

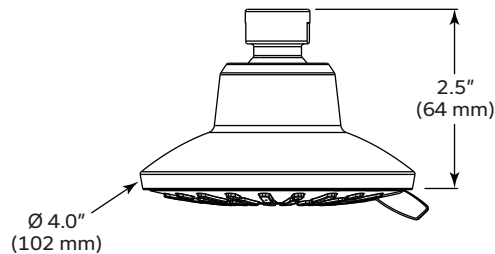
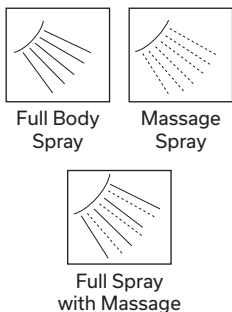
- For use with MultiChoice® Universal rough valve body (R10000 Series)
- Temperature only controlled with handle
- Field adjustable to limit handle rotation to hot water zone
- 120° maximum handle rotation
- Red/Blue pad print temperature indicators on the temperature adjustment dial
- Slip on Spout included with Tub/Shower model
- Three spray shower head (WP14118▲)
 - Spray settings include:
 - Full Body Spray,
 - Massage Spray and
 - Full Spray with Massage
- Maximum - 1.75gpm @ 80 psi (6.6 L/min @ 552 kPa)
- 4.0" (102 mm) spray face diameter
- Easy to clean rubber spray holes
- "-LHD" models indicate less showerhead
- "-LC" Model indicate less cartridge



COMPLIES WITH:

- ASME A112.18.1 / CSA B125.1
- Valve Only / Robinet / Seuilment Indicates compliance to ICC/ANSI A117.1
- EPA WaterSense® listed

WP14118▲



NOTICE

- Dimensions are for reference only. Measurements may vary ± 0.25" (6 mm).
- Flow rates are at 80 psi (552 kPa).
- ▲ Designate Proper Finish Suffix.

Masco Canada Limited reserves the right (1) to make changes in specifications and materials, and (2) to change or discontinue models, both without notice or obligation.

Masco Canada Limited

www.waltecfacets.ca

350 South Edgeware Road, St. Thomas, ON N5P 4L1

© 2024 Masco Canada Limited

WSP-B-W14218, Rev. C

