



The woven shopping bag

Unique Fit

OS

11.8 OZ / 400.0 GSM

Description

- Folded hem at top edge
- Hidden snap closure
- Bottom and side soufflet
- Long and short self fabric handles with cross stitch for reinforcement
- Inside self fabric pocket
- Herringbone tape on inside seams for clean finish
- Single needle stitch at top edge

Composition

- Shell - Canvas
- 100% Cotton - Recycled Open End - 11.8 OZ / 400.0 GSM
- Fabric washed

Care instruction

Machine wash cold, do not bleach, lay flat to dry, iron low heat, do not dry clean.



Country of origin

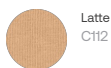
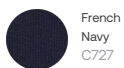
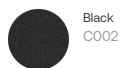
- Weaving : Bangladesh
- Dyeing : Bangladesh
- Assembly : Bangladesh



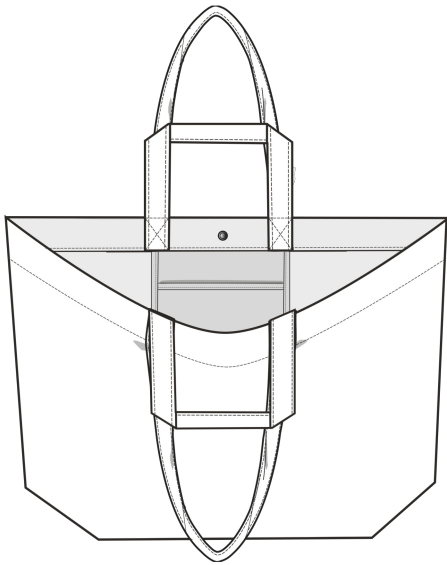
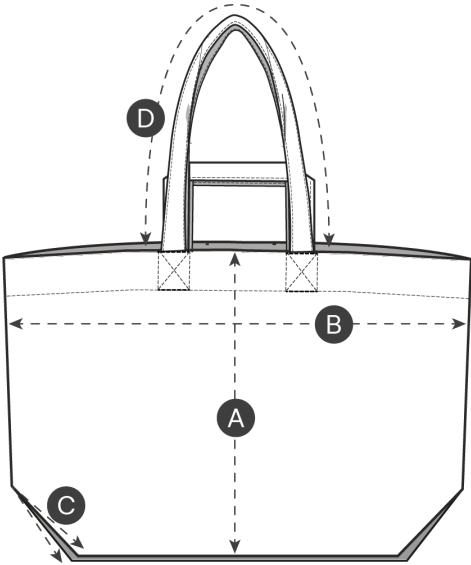
Whites



Colors



Size Guide



| Measurement in inch | OS |
|---------------------|--------|
| A - Height | 15 1/4 |
| C - Width | 24 |
| D - Strap Length | 23 1/2 |

Packing

| Sizes | OS |
|--------------|----|
| Pieces / bag | 5 |
| Pieces / box | 40 |