



# SPECIFICATIONS & PARTS

## Zebra® Sidewinder® Tube Skimmer

### ZVA8 Series - Technical Specifications

100/120v Motor:	100-120v, 1 phase, 60/50Hz, .75LRA, 82w, .11hp, 28 rpm, fan-cooled, 8' 3-prong cordset
208/220/240v Motor:	208-220-240v, 50Hz, 23/28 rpm, .31 amps, 1 phase, 65w, .087hp, 8' 2-prong cordset
110v, 7 rpm Motor:	110v, 60Hz, 7 rpm, .7 amps, 1 phase, 77w, .1 hp
Mounting Holes:	13/64" (5.16mm) slotted, 3 places, 3" (7.62cm) between centers (hardware not provided)
Oil Pickup Tube:	.182" OD, OAL dependent upon reach size
For Fluids:	Max. temp 90°F (30°C) and with minimum 5% oil concentration value
Oil Discharge Tube:	Polyvinyl, 1.25" (32mm) ID, 10" (25.4cm) long
Shipping Weight:	6lbs. (2.7 kg)

### ZVA8 Series - Replacement Parts & Accessories

#### MOTORS (Fit models ZVA6, ZVA7 and ZVA8)

MZ28J7	Replacement motor assembly, with motor, cover and cord. 100-120v, 28rpm, fan-cooled for continuous-duty.
MZ28J8	110v, 28rpm, fan-cooled for continuous-duty. RAW motor only.
MZ28E1	Replacement motor assembly, with motor, cover, and cord. 208/220/240v, 23/28 rpm, fan-cooled for continuous duty.
MZ28E2	220v, 23/28rpm, fan-cooled for continuous-duty, RAW motor only.
MZ07J7	Replacement motor assembly, with motor, cover, and cord. 110v, 7 rpm, fan-cooled for continuous duty.
MZ07J8	110v, 7 rpm, fan-cooled for continuous duty, RAW motor only.
ZXRS	Rocher Switch Option (ON/OFF) for Sidewinder motors above.

#### REPLACEMENT TUBES & CARTRIDGES

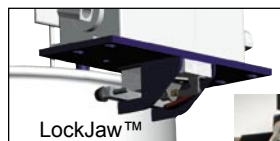
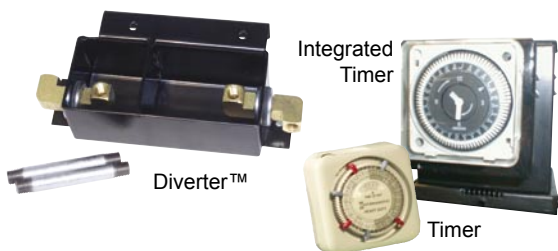
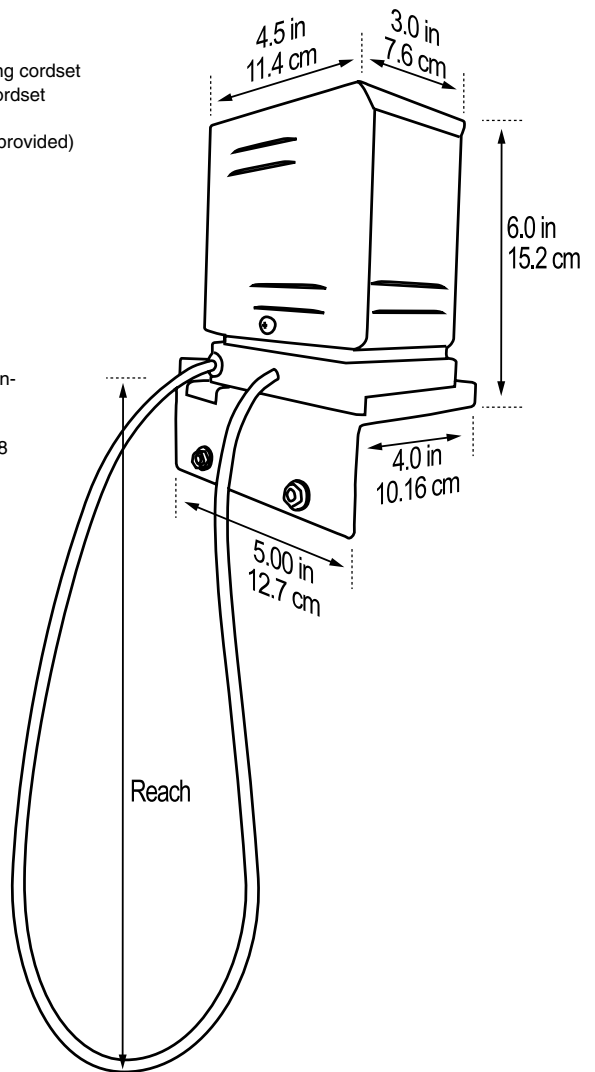
ZXCART8-08	Tube & gear cartridge, 8" reach* (new base angle required to retrofit ZVA6, ZVA7 models).
ZT8-08	Replacement tube only, 8" reach* (best for replacement on model ZVA8. For models ZVA6 and ZVA7 refer to tube cartridge #ZXCART8-08) *Longer reach sizes available, in increments of 3", to 95" max.

#### BASE ANGLE

ZXB8	Base angle for Sidewinder model 8 cartridge
ZSB8-MAG	Magnetic option for Sidewinder base angle (base angle purchased separately)

#### ACCESSORIES

BGST4	Diverter™, separates coolant from oil to reduce coolant waste
BGX2	Lockjaw™, easy-mounting fixture for sumps, barrels, and more. Use in conjunction w/BGST4
XETIMER	Electrical timer, 24 hour, 3-settings per day
XETIMER-GSBZ	Integrated timer, 120v, 60Jz, 7 day, 2 hour interval setting



Magnetic Base



Zebra Skimmers Corporation  
 PO Box 833 Chagrin Falls, OH 44022  
[www.ZebraSkimmers.com](http://www.ZebraSkimmers.com)  
[www.CoolantMaintenance.com](http://www.CoolantMaintenance.com)  
 Toll Free 888-249-4855  
 Phone: 440.349.0141  
 Fax: 440.349.1211

© January 2009 Zebra Skimmers Corp. All rights reserved. Zebra Sidewinder™ also known as the Sideways Skimmer™.

Contact your distributor  
for more information