

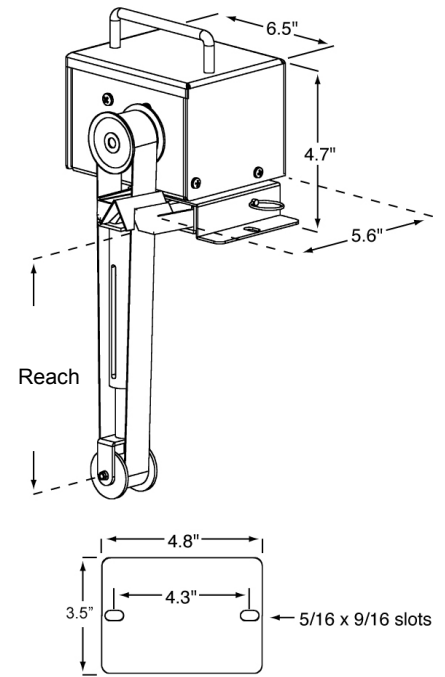


# SPECIFICATIONS & PARTS

## Zebra® Belt Skimmer

### B Series Specifications & Replacement Parts

Model # 115v	Model # 220v	Oil Capacity	Required Access	Belt Width	Belt Material	Belt OAL	Belt Reach	Temp Range	Belt Number	Wipers Number	Motor Number
BPF1-08	BPF1-08(E)	1 gph	2" ø	1"	Poly	24.75"	8"	40-80°F	BP-08	BXWIP	115v: MB28A2
BPF2-08	BPF2-08(E)	2 gph	4" ø	2"	Poly	24.75"	8"	40-80°F	BP2-08	BXWIP-2	220v: MB23E2
BPF1-12	BPF1-12(E)	1 gph	2" ø	1"	Poly	32.00"	12"	40-80°F	BP-12	BXWIP	115v: MB28A2
BPF2-12	BPF2-12(E)	2 gph	4" ø	2"	Poly	32.00"	12"	40-80°F	BP2-12	BXWIP-2	220v: MB23E2
BPF1-18	BPF1-18(E)	1 gph	2" ø	1"	Poly	44.75"	18"	40-80°F	BP-18	BXWIP	115v: MB28A2
BPF2-18	BPF2-18(E)	2 gph	4" ø	2"	Poly	44.75"	18"	40-80°F	BP2-18	BXWIP-2	220v: MB23E2
BPF1-24	BPF1-24(E)	1 gph	2" ø	1"	Poly	56.75"	24"	40-80°F	BP-24	BXWIP	115v: MB28A2
BPF2-24	BPF2-24(E)	2 gph	4" ø	2"	Poly	56.75"	24"	40-80°F	BP2-24	BXWIP-2	220v: MB23E2
BPF1-36	BPF1-36(E)	1 gph	2" ø	1"	Poly	80.75"	36"	40-80°F	BP-36	BXWIP	115v: MB28A2
BPF2-36	BPF2-36(E)	2 gph	4" ø	2"	Poly	80.75"	36"	40-80°F	BP2-36	BXWIP-2	220v: MB23E2
BPF1-48	BPF1-48(E)	1 gph	2" ø	1"	Poly	104.75"	48"	40-80°F	BP-48	BXWIP	115v: MB28A2
BPF2-48	BPF2-48(E)	2 gph	4" ø	2"	Poly	104.75"	48"	40-80°F	BP2-48	BXWIP-2	220v: MB23E2
BPF1-60	BPF1-60(E)	1 gph	2" ø	1"	Poly	128.75"	60"	40-80°F	BP-60	BXWIP	115v: MB28A2
BPF2-60	BPF2-60(E)	2 gph	4" ø	2"	Poly	128.75"	60"	40-80°F	BP2-60	BXWIP-2	220v: MB23E2
BPF1-72	BPF1-72(E)	1 gph	2" ø	1"	Poly	152.75"	72"	40-80°F	BP-72	BXWIP	115v: MB28A2
BPF2-72	BPF2-72(E)	2 gph	4" ø	2"	Poly	152.75"	72"	40-80°F	BP2-72	BXWIP-2	220v: MB23E2
BPF1-84	BPF1-84(E)	1 gph	2" ø	1"	Poly	176.75"	84"	40-80°F	BP-84	BXWIP	115v: MB28A2
BPF2-84	BPF2-84(E)	2 gph	4" ø	2"	Poly	176.75"	84"	40-80°F	BP2-84	BXWIP-2	220v: MB23E2
BPF1-96	BPF1-96(E)	1 gph	2" ø	1"	Poly	200.75"	96"	40-80°F	BP-96	BXWIP	115v: MB28A2
BPF2-96	BPF2-96(E)	2 gph	4" ø	2"	Poly	200.75"	96"	40-80°F	BP2-96	BXWIP-2	220v: MB23E2
BSF1-08	BSF1-08(E)	1 gph	2" ø	1"	Stainless Steel	24.75"	8"	60-212°F	BS-08	BXWIP	115v: MB28A2
BSF2-08	BSF2-08(E)	2 gph	4" ø	2"	Stainless Steel	24.75"	8"	60-212°F	BS2-08	BXWIP-2	220v: MB23E2
BSF1-12	BSF1-12(E)	1 gph	2" ø	1"	Stainless Steel	32.00"	12"	60-212°F	BS-12	BXWIP	115v: MB28A2
BSF2-12	BSF2-12(E)	2 gph	4" ø	2"	Stainless Steel	32.00"	12"	60-212°F	BS2-12	BXWIP-2	220v: MB23E2
BSF1-18	BSF1-18(E)	1 gph	2" ø	1"	Stainless Steel	44.75"	18"	60-212°F	BS-18	BXWIP	115v: MB28A2
BSF2-18	BSF2-18(E)	2 gph	4" ø	2"	Stainless Steel	44.75"	18"	60-212°F	BS2-18	BXWIP-2	220v: MB23E2
BSF1-24	BSF1-24(E)	1 gph	2" ø	1"	Stainless Steel	56.75"	24"	60-212°F	BS-24	BXWIP	115v: MB28A2
BSF2-24	BSF2-24(E)	2 gph	4" ø	2"	Stainless Steel	56.75"	24"	60-212°F	BS2-24	BXWIP-2	220v: MB23E2
BSF1-36	BSF1-36(E)	1 gph	2" ø	1"	Stainless Steel	80.75"	36"	60-212°F	BS-36	BXWIP	115v: MB28A2
BSF2-36	BSF2-36(E)	2 gph	4" ø	2"	Stainless Steel	80.75"	36"	60-212°F	BS2-36	BXWIP-2	220v: MB23E2
BSF1-48	BSF1-48(E)	1 gph	2" ø	1"	Stainless Steel	104.75"	48"	60-212°F	BS-48	BXWIP	115v: MB28A2
BSF2-48	BSF2-48(E)	2 gph	4" ø	2"	Stainless Steel	104.75"	48"	60-212°F	BS2-48	BXWIP-2	220v: MB23E2
BSF1-60	BSF1-60(E)	1 gph	2" ø	1"	Stainless Steel	128.75"	60"	60-212°F	BS-60	BXWIP	115v: MB28A2
BSF2-60	BSF2-60(E)	2 gph	4" ø	2"	Stainless Steel	128.75"	60"	60-212°F	BS2-60	BXWIP-2	220v: MB23E2
BSF1-72	BSF1-72(E)	1 gph	2" ø	1"	Stainless Steel	152.75"	72"	60-212°F	BS-72	BXWIP	115v: MB28A2
BSF2-72	BSF2-72(E)	2 gph	4" ø	2"	Stainless Steel	152.75"	72"	60-212°F	BS2-72	BXWIP-2	220v: MB23E2
BSF1-84	BSF1-84(E)	1 gph	2" ø	1"	Stainless Steel	176.75"	84"	60-212°F	BS-84	BXWIP	115v: MB28A2
BSF2-84	BSF2-84(E)	2 gph	4" ø	2"	Stainless Steel	176.75"	84"	60-212°F	BS2-84	BXWIP-2	220v: MB23E2
BSF1-96	BSF1-96(E)	1 gph	2" ø	1"	Stainless Steel	200.75"	96"	60-212°F	BS-96	BXWIP	115v: MB28A2
BSF2-96	BSF2-96(E)	2 gph	4" ø	2"	Stainless Steel	200.75"	96"	60-212°F	BS2-96	BXWIP-2	220v: MB23E2



115v Motor (#MB28A2):  
115v, 60Hz, .74 LRA, 85w, .114HP, 28rpm, fan-cooled  
220v Motor (#MB23E2):  
220v, 50Hz, .23 LRA, 50w, .067HP, 23rpm, fan-cooled  
Pulley:  
Hanging pulley w/weight for reaches 36" and above  
Oil Discharge Tube:  
Polyvinyl, 5/8" (16mm) ID, 24" (61cm) long  
Shipping Weight: 11 lbs. (5kg)

Please contact us for other replacement parts.

Belts available for other brand skimmers. Please contact us for quote.

### B Series – Accessories

- BGST4 Diverter™, oil/water separator, separates coolant from oil to reduce coolant waste
- BGX2 Lockjaw™ Mounting Clamp, makes mounting to any 1/4" thick wall easy and aides in skimmer portability
- XETIMER Electrical Timer, 24 hour, 3 settings per day
- XETIMER-GSBZ Integrated Timer, 120v, 60Hz, 7 day, 2 hour interval settings, integrated within motor housing
- XETIMER-GSBZ(E) Integrated Timer, 240v, 50Hz, 7 day, 2 hour interval settings, integrated within motor housing

Zebra Skimmers Corporation  
27000 Richmond Rd, Unit 1  
Solon, OH 44139

www.ZebraSkimmers.com  
Phone: 1-440-349-0141  
Toll Free: 1-888-249-4855  
Fax: 1-440-349-1211