

The Zebra Tramp Oil Belt Skimmer is a simple, rugged, reliable and features easy vertical access. We offer lifetime warranties on the tramp oil belt skimmer's dual wiper set and limited warranties on all other parts. Manufactured in the United States.

FEATURES:

- Steel, heavy-duty construction
- Removable, easy-to-clean oil collection tray
- Continuous-duty, fan-cooled motor
- Self-tensioning belt on fixed lower pulley (to 24")
- Hanging lower pulley design (36" and up)
- Dual wiper set with lifetime warranty
- One year warranty all other parts (except steel belts)



Model	Part Number	Belt Type	Fluid Max Temp	Capacity	Belt Reach	Belt Width	Requires Access
Belt Skimmer	BPF1-08	Poly	40-80°F (4-27°C)	1 gph (3.8 lph)	8" (20cm)	1" (25mm)	2" (50mm)
	BPF1-12	Poly	40-80°F (4-27°C)	1 gph (3.8 lph)	12" (30cm)	1" (25mm)	2" (50mm)
	BPF1-18	Poly	40-80°F (4-27°C)	1 gph (3.8 lph)	18" (45cm)	1" (25mm)	2" (50mm)
	BPF1-24	Poly	40-80°F (4-27°C)	1 gph (3.8 lph)	24" (60cm)	1" (25mm)	2" (50mm)
	BPF2-08	Poly	40-80°F (4-27°C)	2 gph (7.8 lph)	8" (20cm)	2" (50mm)	4" (10cm)
	BPF2-12	Poly	40-80°F (4-27°C)	2 gph (7.8 lph)	12" (30cm)	2" (50mm)	4" (10cm)
	BPF2-18	Poly	40-80°F (4-27°C)	2 gph (7.8 lph)	18" (45cm)	2" (50mm)	4" (10cm)
	BPF2-24	Poly	40-80°F (4-27°C)	2 gph (7.8 lph)	24" (60cm)	2" (50mm)	4" (10cm)
	BSF1-08	Steel	60-212°F (15-100°C)	1 gph (3.8 lph)	8" (20cm)	1" (25mm)	2" (50mm)
	BSF1-12	Steel	60-212°F (15-100°C)	1 gph (3.8 lph)	12" (30cm)	1" (25mm)	2" (50mm)
	BSF1-18	Steel	60-212°F (15-100°C)	1 gph (3.8 lph)	18" (45cm)	1" (25mm)	2" (50mm)
	BSF1-24	Steel	60-212°F (15-100°C)	1 gph (3.8 lph)	24" (60cm)	1" (25mm)	2" (50mm)
	BSF2-08	Steel	60-212°F (15-100°C)	2 gph (7.8 lph)	8" (20cm)	2" (50mm)	4" (10cm)
	BSF2-12	Steel	60-212°F (15-100°C)	2 gph (7.8 lph)	12" (30cm)	2" (50mm)	4" (10cm)
	BSF2-18	Steel	60-212°F (15-100°C)	2 gph (7.8 lph)	18" (45cm)	2" (50mm)	4" (10cm)
	BSF2-24	Steel	60-212°F (15-100°C)	2 gph (7.8 lph)	24" (60cm)	2" (50mm)	4" (10cm)
Belt Skimmer with Integrated timer	BPF1.4-xx (1 inch belt skimmer with integrated timer, xx is the length)						
	BPF2.4-xx (2 inch belt skimmer with integrated timer, xx is the length)						

**115v motors standard; 220v motors available by adding "E" to end of part number.

*Outboard motor shaft available for steel belt units by replacing the "S" in the part number with "Z".

*Longer reach units available in 1' increments by changing suffix of part number (-36, -48, -60, etc.)

OPTIONAL ACCESSORIES



Diverter™ (BGST4)

Oil/water separator for pure oil discharge (raises unit by 2", please account for when selecting reach).



Timer Options

(XETIMER- Standard)
(XETIMER-GSBZ - Integrated)
Integrated timer for mechanical skimmers



Lockjaw™ (#BGX2)

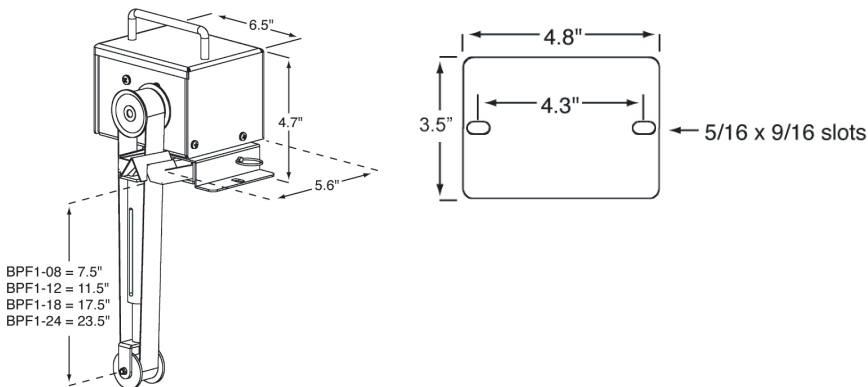
Lockjaw Mounting Clamp affixes skimmer to any 1/4" thick wall or barrel, making portability simple



Zebra Skimmers Corporation

27000 Richmond Road #1 | Solon, OH 44139 | Toll Free: 888.249.4855 | Fax: 440-349-1211
sales@zebraskimmers.com | www.zebraskimmers.com

Model # 115v	Model # 220v	Oil Capacity	Required Access	Belt Width	Belt Material	Belt OAL	Belt Reach	Temp Range	Belt Number	Wipers Number	Motor Number
BPF1-08	BPF1-08(E)	1 gph	2" ø	1"	Poly	24.75"	8"	40-80°F	BP-08	BXWIP	115v: MB28A2
BPF2-08	BPF2-08(E)	2 gph	4" ø	2"	Poly	24.75"	8"	40-80°F	BP2-08	BXWIP-2	220v: MB23E2
BPF1-12	BPF1-12(E)	1 gph	2" ø	1"	Poly	32.00"	12"	40-80°F	BP-12 BP2-	BXWIP	115v: MB28A2
BPF2-12	BPF2-12(E)	2 gph	4" ø	2"	Poly	32.00"	12"	40-80°F	12 BP-18	BXWIP-2	220v: MB23E2
BPF1-18	BPF1-18(E)	1 gph	2" ø	1"	Poly	44.75"	18"	40-80°F	BP2-18	BXWIP	115v: MB28A2
BPF2-18	BPF2-18(E)	2 gph	4" ø	2"	Poly	44.75"	18"	40-80°F	BP-24 BP2-	BXWIP-2	220v: MB23E2
BPF1-24	BPF1-24(E)	1 gph	2" ø	1"	Poly	56.75"	24"	40-80°F	24 BP-36	BXWIP	115v: MB28A2
BPF2-24	BPF2-24(E)	2 gph	4" ø	2"	Poly	56.75"	24"	40-80°F	BP2-36	BXWIP-2	220v: MB23E2
BPF1-36	BPF1-36(E)	1 gph	2" ø	1"	Poly	80.75"	36"	40-80°F	BP-48	BXWIP	115v: MB28A2
BPF2-36	BPF2-36(E)	2 gph	4" ø	2"	Poly	80.75"	36"	40-80°F	BP2-48	BXWIP-2	220v: MB23E2
BPF1-48	BPF1-48(E)	1 gph	2" ø	1"	Poly	104.75"	48"	40-80°F	BP-60	BXWIP	115v: MB28A2
BPF2-48	BPF2-48(E)	2 gph	4" ø	2"	Poly	104.75"	48"	40-80°F	BP2-60	BXWIP-2	220v: MB23E2
BPF1-60	BPF1-60(E)	1 gph	2" ø	1"	Poly	128.75"	60"	40-80°F	BP-72 BP2-	BXWIP	115v: MB28A2
BPF2-60	BPF2-60(E)	2 gph	4" ø	2"	Poly	128.75"	60"	40-80°F	72 BP-84	BXWIP-2	220v: MB23E2
BPF1-72	BPF1-72(E)	1 gph	2" ø	1"	Poly	152.75"	72"	40-80°F	BP2-84	BXWIP	115v: MB28A2
BPF2-72	BPF2-72(E)	2 gph	4" ø	2"	Poly	152.75"	72"	40-80°F	BP-96	BXWIP-2	220v: MB23E2
BPF1-84	BPF1-84(E)	1 gph	2" ø	1"	Poly	176.75"	84"	40-80°F	BP2-96	BXWIP	115v: MB28A2
BPF2-84	BPF2-84(E)	2 gph	4" ø	2"	Poly	176.75"	84"	40-80°F	BS-08	BXWIP-2	220v: MB23E2
BPF1-96	BPF1-96(E)	1 gph	2" ø	1"	Poly	200.75"	96"	40-80°F	BS2-08	BXWIP	115v: MB28A2
BPF2-96	BPF2-96(E)	2 gph	4" ø	2"	Poly	200.75"	96"	40-80°F	BS-12	BXWIP-2	220v: MB23E2
BSF1-08	BSF1-08(E)	1 gph	2" ø	1"	stainless Steel	24.75"	8"	BS-08	BS2-12	BXWIP	115v: MB28A2
BSF2-08	BSF2-08(E)	2 gph	4" ø	2"	stainless Steel	24.75"	8"	BS2-08	BS-18	BXWIP-2	220v: MB23E2
BSF1-12	BSF1-12(E)	1 gph	2" ø	1"	stainless Steel	32.00"	12"	BS-12	BS2-18	BXWIP	115v: MB28A2
BSF2-12	BSF2-12(E)	2 gph	4" ø	2"	stainless Steel	32.00"	12"	BS2-12	BS-24	BXWIP-2	220v: MB23E2
BSF1-18	BSF1-18(E)	1 gph	2" ø	1"	stainless Steel	44.75"	18"	BS-18	BS2-24	BXWIP	115v: MB28A2
BSF2-18	BSF2-18(E)	2 gph	4" ø	2"	stainless Steel	44.75"	18"	BS2-18	BS-36	BXWIP-2	220v: MB23E2
BSF1-24	BSF1-24(E)	1 gph	2" ø	1"	stainless Steel	56.75"	24"	BS-24	BS2-36	BXWIP	115v: MB28A2
BSF2-24	BSF2-24(E)	2 gph	4" ø	2"	stainless Steel	56.75"	24"	BS2-24	BS-48	BXWIP-2	220v: MB23E2
BSF1-36	BSF1-36(E)	1 gph	2" ø	1"	stainless Steel	80.75"	36"	BS-36	BS2-48	BXWIP	115v: MB28A2
BSF2-36	BSF2-36(E)	2 gph	4" ø	2"	stainless Steel	80.75"	36"	BS2-36	BS-60	BXWIP-2	220v: MB23E2
BSF1-48	BSF1-48(E)	1 gph	2" ø	1"	stainless Steel	104.75"	48"	BS-48	BS2-60	BXWIP	115v: MB28A2
BSF2-48	BSF2-48(E)	2 gph	4" ø	2"	stainless Steel	104.75"	48"	BS2-48	BS-72	BXWIP-2	220v: MB23E2
BSF1-60	BSF1-60(E)	1 gph	2" ø	1"	stainless Steel	128.75"	60"	BS-60	BS2-72	BXWIP	115v: MB28A2
BSF2-60	BSF2-60(E)	2 gph	4" ø	2"	stainless Steel	128.75"	60"	BS2-60	BS-84	BXWIP-2	220v: MB23E2
BSF1-72	BSF1-72(E)	1 gph	2" ø	1"	stainless Steel	152.75"	72"	BS-72	BS2-84	BXWIP	115v: MB28A2
BSF2-72	BSF2-72(E)	2 gph	4" ø	2"	stainless Steel	152.75"	72"	BS2-72	BS-96	BXWIP-2	220v: MB23E2
BSF1-84	BSF1-84(E)	1 gph	2" ø	1"	stainless Steel	176.75"	84"	BS-84	BS2-96	BXWIP	115v: MB28A2
BSF2-84	BSF2-84(E)	2 gph	4" ø	2"	stainless Steel	176.75"	84"	BS2-84	BS-96	BXWIP-2	220v: MB23E2
BSF1-96	BSF1-96(E)	1 gph	2" ø	1"	stainless Steel	200.75"	96"	BS-96	BS2-96	BXWIP	115v: MB28A2
BSF2-96	BSF2-96(E)	2 gph	4" ø	2"	stainless Steel	200.75"	96"	BS2-96		BXWIP-2	220v: MB23E2



115v Motor (#MB28A2):

115v, 60Hz, .74 LRA, 85w, .114HP, 28rpm, fan-cooled

220v Motor (#MB23E2):

220v, 50Hz, .23 LRA, 50w, .067HP, 23rpm, fan-cooled

Pulley:

Hanging pulley w/weight for reaches 36" and above

Oil Discharge Tube:

Polyvinyl, 5/8" (16mm) ID, 24" (61cm) long

Shipping Weight: 11 lbs. (5kg)

Belts available for other brand skimmers.

Please contact Zebra Skimmers for a quote.



Zebra Skimmers Corporation

27000 Richmond Road #1 | Solon, OH 44139 | Toll Free: 888.249.4855 | Fax: 440-349-1211

sales@zebraskimmers.com | www.zebraskimmers.com