

# LockJaw™ Installation (BGX1)

## INSTALLATION AND ADJUSTMENT INSTRUCTIONS

### INSTALLATION

1. Use Figures (1-3) to determine the configuration that will be required.
2. Determine the correct hole pattern using Figure 2.
3. Mount the skimmer to the lockjaw using the hardware included.

### ADJUSTMENT

1. Close the clamp lever (Figure 5).
2. Loosen both locknuts.
3. Adjust the rubber grips to the wall thickness of the tank or drum.
4. Tighten both locknuts.

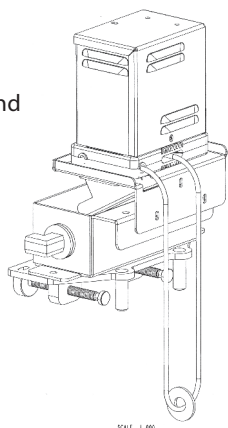
### WARRANTY

90-days

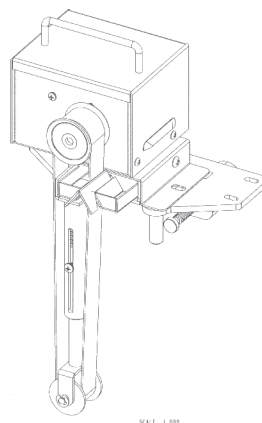


For any technical questions or product support, please contact Zebra® Skimmers at 888.249.4855

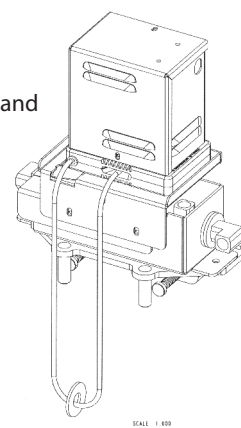
**Fig 1.**  
Series with  
Diverter™ and  
LockJaw™



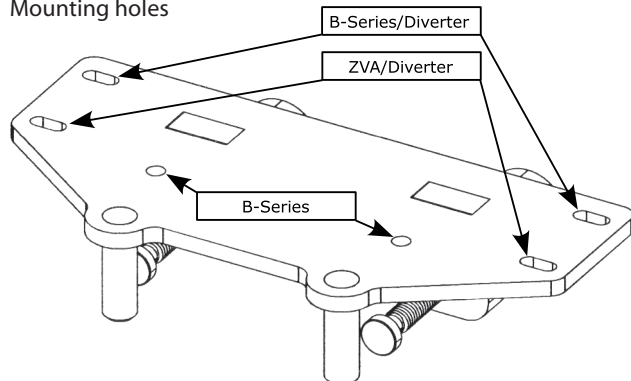
**Fig 2.**  
B-Series with  
LockJaw™



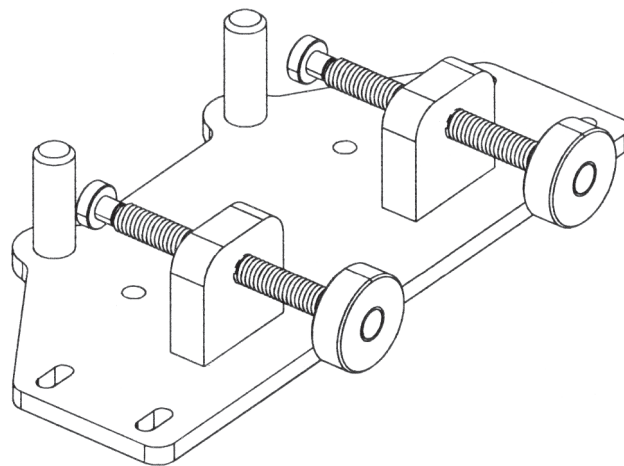
**Fig 3.**  
ZVA with  
Diverter™ and  
LockJaw™



**Fig 4.**  
Mounting holes



**Fig 5.**  
Adjustments



**Zebra Skimmers Corporation**

27000 Richmond Road #1 | Solon, OH 44139 | Toll Free: 888.249.4855 | Fax: 440-349-1211  
sales@zebraskimmers.com | [www.zebraskimmers.com](http://www.zebraskimmers.com)