

INSTALLATION AND ADJUSTMENT INSTRUCTIONS

INSTALLATION

1. Use Figures (1-3) to determine the configuration that will be required.
2. Determine the correct hole pattern using Figure 2.
3. Mount the skimmer to the lockjaw using the hardware included.

ADJUSTMENT

1. Close the clamp lever (Figure 5).
2. Loosen both locknuts.
3. Adjust the rubber grips to the wall thickness of the tank or drum.
4. Tighten both locknuts.

WARRANTY

90-days



For any technical questions or product support, please contact Zebra® Skimmers at 888.249.4855

Fig 1.
Series with
Diverter™ and
LockJaw™

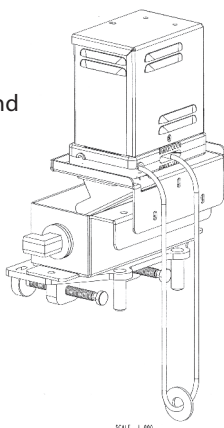


Fig 2.
B-Series with
LockJaw™

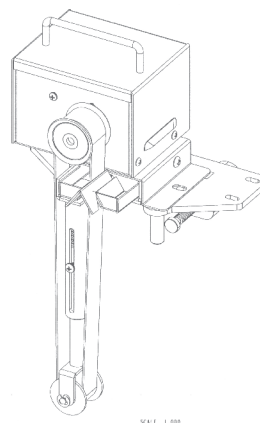


Fig 3.
ZVA with
Diverter™ and
LockJaw™

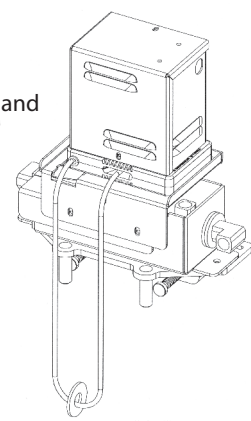


Fig 4.
Mounting holes

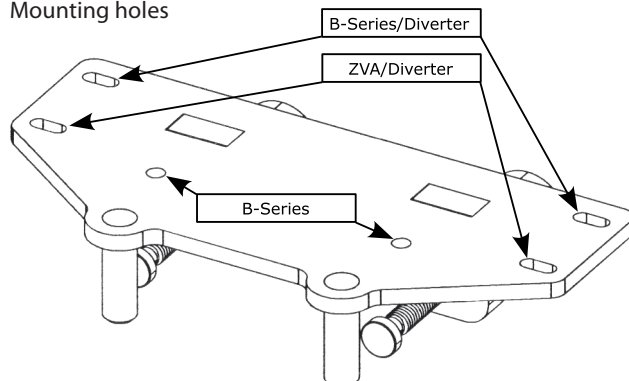
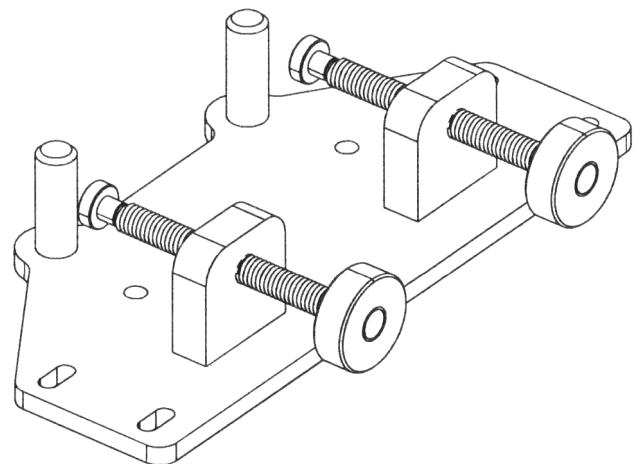


Fig 5.
Adjustments



Zebra Skimmers Corporation

27000 Richmond Road #1 | Solon, OH 44139 | Toll Free: 888.249.4855 | Fax: 440-349-1211
sales@zebraskimmers.com | www.zebraskimmers.com